

THE DIAMETER OF THE DIAPHRAGM ASSEMBLY IS DETERMINED BY THE CONTROLLED PRESSURE REQUIREMENTS.....

DIAPHRAGM ASSEMBLIES ARE AVAILABLE IN THE FOLLOWING DIAMETERS: 6", 7", 8", 10", 13", & 16".....

- DENOTES USED ON 5" TO 8" ONLY....
- ▼ DENOTES USED ON 2-1/2", 4" TO 8".....
- ▲ DENOTES NOT USED ON 1/2" TO 1-1/2"....
- * DENOTES RECOMMENDED SPARE PARTS.....
- **SEATS INTEGRAL WITH BODY, RENEWABLE SEATS AVAILABLE AT EXTRA COST IN BRS. ORS. STL.....

DIMENSIONS					
SIZE	A			B	C
	SCR'D	125 #	250 #		
1/2-1	4-11/16	—	—	2-3/8	17-3/4
1/4, 1/2	5-7/16	—	—	3-1/16	18-3/4
2	6-1/2	6-1/2	7	2-7/8	19
2-1/2	7-7/8	8-3/16	8-13/16	4-5/16	19-5/8
3	9-1/4	9-1/4	10	4-3/8	20-3/8
4	—	10-3/4	11-3/8	5-5/16	20-9/16
5	—	12	12-7/8	6-3/16	21-7/16
6	—	13	13-7/8	7-1/8	22-3/8
8	—	16-3/4	17-3/4	8-5/8	23-7/8
10	—	20-1/4	21-5/8	9-3/16	26-3/16
12	—	22-5/8	24-1/8	11-3/8	28-3/16

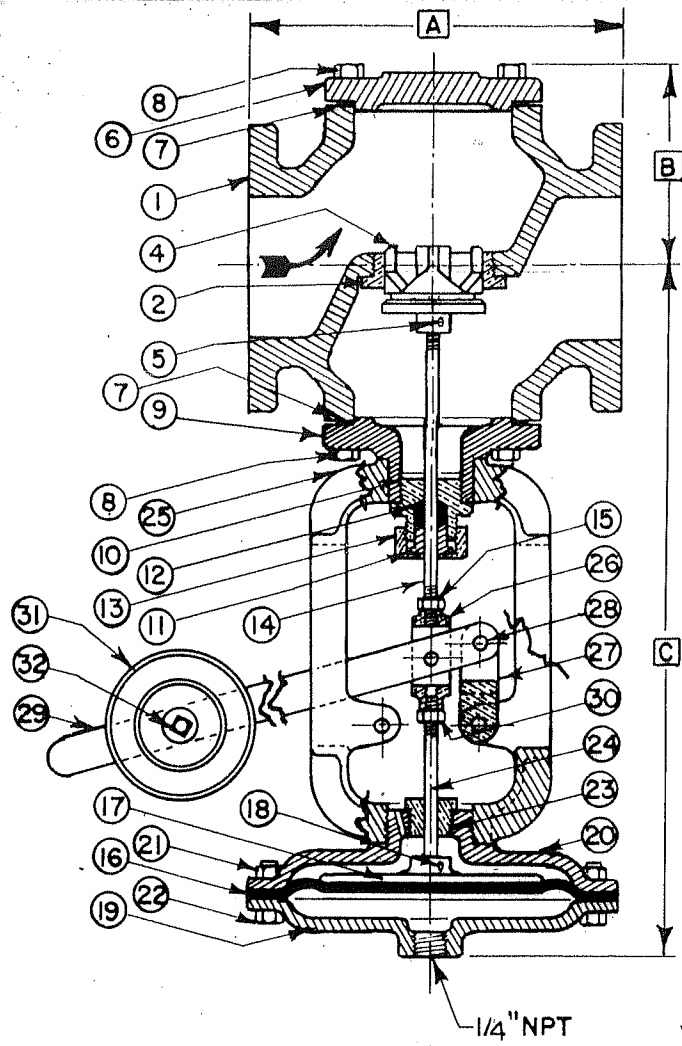
NO	NAME	QU.	MATL.	QU.	MATL.
34	ROLL PIN	□*	▲	1	S.STL.
33	ANTI-TURBINING PIN	□*	▲	1	S.STL.
32	WEIGHT SCREW		STL.	1	STL.
31	WEIGHT		C.I.	1	C.I.
30	UPPER STEM HEX NUT		STL.	1	STL.
29	LEVER		STL.	1	STL.
28	ROLL PINS	3	S.STL.	3	S.STL.
27	LINK		BRZ.	1	BRZ.
26	CLEVIS		BRZ.	1	BRZ.
25	YOKE		C.I.	1	C.I.
24	STEM: UPPER		STL.	1	STL.
23	BUSHING NUT		BRS.	1	BRS.
22	DIAP.CHAMBER BOLTS	AR	STL.	AR	STL.
21	DIAP.CHAMBER NUTS	AR	STL.	AR	STL.
20	BOTTOM DIAP.CHAMBER		C.I.	1	C.I.
19	TOP DIAP.CHAMBER		C.I.	1	C.I.
18	ROLL PIN		S.STL.	1	S.STL.
17	LOWER DIAP.PLATE		C.I.	1	C.I.
16	DIAPHRAGM	*	NEOP.	1	NEOP.
15	LOWER STEM HEX NUT		STL.	1	STL.
14	STEM: LOWER	*	S.STL.	1	S.STL.
13	PACKING NUT		BRS.	1	BRS.
12	PACKING	*AR	TFL.	AR	TFL.
11	PACKING GLAND		BRS.	1	BRS.
10	BONNET		BRZ.	1	BRZ.
9	TOP CAP	▲		1	C.I.
8	HEX HEAD CAP SCREW	▲	AR	1	STL.
7	GASKETS	*	▲	2	NON-ASE
6	BOTTOM CAP	▼	BRZ.	1	C.I.
5	ROLL PIN	*	S.STL.	1	S.STL.
4	MAIN VALVE	*	BRZ.	1	BRZ.
3	SEAT, SMALL	*	**	1	BRZ.
2	SEAT, LARGE	*	**	1	BRZ.
1	BODY		BRZ.	1	C.I.
				1/2"-1 1/2"	2" & UP

PARTS LIST

REVISIONS		
NO	DATE	DESCRIPTION
1	2-20-89	WAS. G'D. ASB. & COMP. ASB.

O. C. KECKLEY COMPANY
 SKOKIE ILLINOIS
 DIMENSIONAL ASSEMBLY & PARTS
 1/2"-12" #116 REGULATOR

DRAWING NO. **AL 67050**
 PART NO. _____
 SCALE _____
 DATE **11-25-68**
 DR. BY *J.M. Nowak*



THE DIAMETER OF THE DIAPHRAGM ASSEMBLY IS DETERMINED BY THE CONTROLLED PRESSURE REQUIREMENTS.....

DIAPHRAGM ASSEMBLIES ARE AVAILABLE IN THE FOLLOWING DIAMETERS: 6", 7", 8", 10", 13", & 16".....

▼ DENOTES USED ON 2-1/2", 4" TO 8".....
 ▲ DENOTES NOT USED ON 1/2" TO 1-1/2".....
 * DENOTES RECOMMENDED SPARE PARTS.....
 **SEATS INTEGRAL WITH BODY, RENEWABLE SEATS AVAILABLE AT EXTRA COST IN BRS. ORS. STL.

DIMENSIONS					
SIZE	A			B	C
	SCR'D	125#	250#		
1/2-1	3-3/4	-	-	1-7/16	17-3/4
1-1/4	4-3/4	-	-	2-3/4	18-3/4
1-1/2	4-3/4	-	-	2-3/4	18-3/4
2	6-1/2	6-1/2	7	2-7/8	19
2-1/2	7-7/8	8-3/16	8-13/16	4-5/16	19-5/8
3	9-1/4	9-1/4	10	5-1/8	20 3/8
4	-	10-3/4	11-3/8	5-5/16	20 9/16
5	-	12-7/8	13-3/4	7-1/8	22-3/8
6	-	13	13-7/8	7-1/8	22-3/8
8	-	16-3/4	17-3/4	8-5/8	23-7/8

NO	NAME	QU.	MATL.	QU.	MATL.
		1/2"-1-1/2"		2" & UP	
32	WEIGHT SCREW	1	STL.	1	STL.
31	WEIGHT	1	C.I.	1	C.I.
30	UPPER STEM HEX NUT	1	STL.	1	STL.
29	LEVER	1	STL.	1	STL.
28	ROLL PINS	3	S.STL.	3	S.STL.
27	LINK	1	BRZ.	1	BRZ.
26	CLEVIS	1	BRZ.	1	BRZ.
25	YOKE	1	C.I.	1	C.I.
24	STEM: UPPER	1	STL.	1	STL.
23	BUSHING NUT	1	BRS.	1	BRS.
22	DIAP.CHAMBER BOLTS	AR	STL.	AR	STL.
21	DIAP.CHAMBER NUTS	AR	STL.	AR	STL.
20	BOTTOM DIAP. CHAMBER	1	C.I.	1	C.I.
19	TOP DIAP. CHAMBER	1	C.I.	1	C.I.
18	ROLL PIN	1	S.STL.	1	S.STL.
17	LOWER DIAP. PLATE	1	C.I.	1	C.I.
16	DIAPHRAGM	* 1	NEOP.	1	NEOP.
15	LOWER STEM HEX NUT	1	STL.	1	STL.
14	STEM: LOWER	* 1	S.STL.	1	S.STL.
13	PACKING NUT	1	BRS.	1	BRS.
12	PACKING	* AR	TFL.	AR	TFL.
11	PACKING GLAND	1	BRS.	1	BRS.
10	BONNET	1	BRZ.	1	BRZ.
9	TOP CAP	▲	1	C.I.	
8	HEX HEAD CAP SCREW	▲	AR	STL.	
7	GASKETS	* ▲	2	NONASE	
6	BOTTOM CAP	▼ 1	BRZ.	1	C.I.
5	ROLL PIN	* 1	S.STL.	1	S.STL.
4	MAIN VALVE	* 1	BRZ.	1	BRZ.
2	SEAT	* **	1	BRZ.	
1	BODY	1	BRZ.	1	C.I.

PARTS LIST

REVISIONS		
NO	DATE	DESCRIPTION
1	2-6-89	WAS COMP. ASB. & G'D. ASB.

O. C. KECKLEY COMPANY
 SKOKIE ILLINOIS
 DIMENSIONAL ASSEMBLY & PARTS
 1/2"-8" # 118 REGULATOR

DRAWING NO. **23680 A**
 PART NO. _____
 SCALE _____
 DATE **11-25-68**
 DR. BY *Almash*