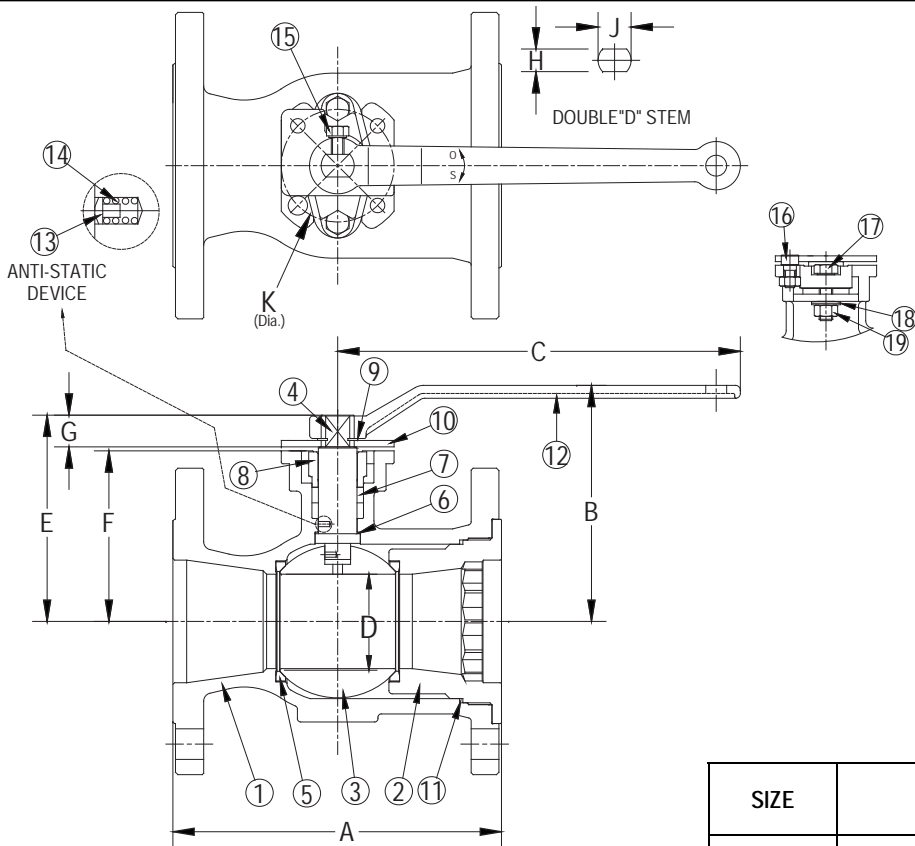


DRAWING NO.
AL 104890



PARTS LIST		
ITEM	DESCRIPTION	MATERIAL
1	Body	Carbon Steel (ASTM A 216, WCB)
2	Tailpiece	Carbon Steel (ASTM A 216, WCB)
3	Ball	Stainless Steel (ASTM A 351, CF8M) or 316SS
4	Stem	Stainless Steel (ASTM A 276, 316)
5	Seat (2)+	R-PTFE
6	Thrust Washer	PTFE
7	Stem Packing	Graphite
8	Lock Washer	Stainless Steel (304SS)
9	Packing Gland	Stainless Steel (ASTM A 351, CF8M)
10	Lock Nut	Stainless Steel (304SS)
11	Body Gasket	Graphite
12	Handle Assembly	Stainless Steel (300 Series SS)
13	Grounding Ball (2)	Stainless Steel (304SS)
14	Grounding Spring (2)	Stainless Steel (304SS)
15	Handle Bolt	Stainless Steel (304SS)
16	Stop Bolt	Stainless Steel (304SS)
17	Packing Bolt (2)	Alloy Steel (ASTM A 193, B8)
18	Belleville Washers	Stainless Steel (300 Series SS)
19	Packing Nut (2)	Alloy Steel (ASTM A 194, 8)

Product Numbers [†]	SIZE	DIMENSIONS (in)										ISO Pattern	WEIGHT (lbs)
	in	A	B	C	D	E	F	G	H	J	K		
BVF1RF2RCSRGL-150	1-1/2	6.5	4.07	10.02	1.19	3.33	2.51	0.76	0.55	0.71	2.76	F07	12.5
BVF1RF2RCSRGL-200	2	7.0	4.61	10.02	1.50	3.87	3.07	0.76	0.55	0.71	2.76	F07	18.5
BVF1RF2RCSRGL-250	2-1/2	7.5	5.35	10.02	2.00	4.61	3.80	0.76	0.55	0.71	2.76	F07	27.0
BVF1RF2RCSRGL-300	3	8.0	5.73	10.02	2.31	4.99	4.17	0.76	0.55	0.71	2.76	F07	33.0
BVF1RF2RCSRGL-400	4	9.0	6.71	18.11	2.99	6.14	4.84	1.26	0.67	1.03	4.01	F10	61.0
BVF1RF2RCSRGL-600	6	10.5	8.43	18.11	4.49	7.85	6.50	1.26	0.67	1.03	4.01 & 4.92	F10 & F12	99.0

[†]See "Style BVF1 Product Number Configuration" for additional options.

BODY PRESSURE & TEMPERATURE RATINGS - NON SHOCK	
MEDIA	1½" to 6"
W.O.G.	285 PSI @ 100°F
Saturated Steam (WSP)	200 PSI @ 388°F

KECKLEY

3400 CLEVELAND SKOKIE ILLINOIS

DRAWING NO.
AL 104890

DIMENSIONAL ASSEMBLY

PART NO.

Style BVF1 150lb. Unibody

SCALE: NTS

Ball Valves

DATE: 10/17/2014

MAT'L: (As Noted Above)

REQ. ---

DR. BY DSF