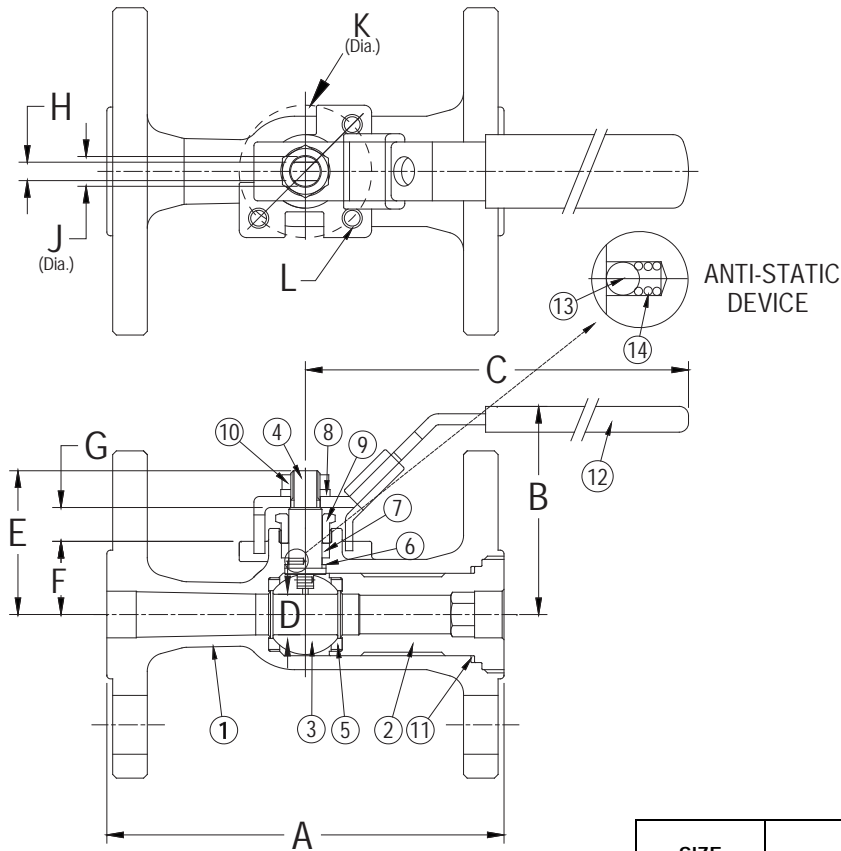


DRAWING NO.  
AL 104900




| PARTS LIST |                      |   |
|------------|----------------------|---|
| ITEM       | DESCRIPTION          | MATERIAL                                    |
| 1          | Body                 | Carbon Steel (ASTM A 216, WCB)              |
| 2          | Tailpiece            | Carbon Steel (ASTM A 216, WCB)              |
| 3          | Ball                 | Stainless Steel (ASTM A 351, CF8M) or 316SS |
| 4          | Stem                 | Stainless Steel (ASTM A 276, 316)           |
| 5          | Seat (2)†            | R-PTFE                                      |
| 6          | Thrust Washer        | PTFE  |
| 7          | Stem Packing         | Graphite                                    |
| 8          | Lock Washer          | Stainless Steel (304SS)                     |
| 9          | Packing Gland        | Stainless Steel (ASTM A 276, 316)           |
| 10         | Lock Nut             | Stainless Steel (304SS)                     |
| 11         | Body Gasket          | Graphite                                    |
| 12         | Handle Assembly      | Stainless Steel (300 Series SS)             |
| 13         | Grounding Ball (2)   | Stainless Steel (304SS)                     |
| 14         | Grounding Spring (2) | Stainless Steel (304SS)                     |

| Product Numbers <sup>†</sup> | SIZE | DIMENSIONS (in) |      |      |      |      |      |       |      |      |      |           | ISO Pattern | WEIGHT (lbs) |
|------------------------------|------|-----------------|------|------|------|------|------|-------|------|------|------|-----------|-------------|--------------|
|                              | in   | A               | B    | C    | D    | E    | F    | G     | H    | J    | K    | L         |             |              |
| BVF1RF4RCSRGS-050            | 1/2  | 5.50            | 2.21 | 5.04 | 0.43 | 1.53 | 0.78 | 0.350 | 0.20 | 0.31 | 1.42 | ¼"-20 UNC | F03         | 4.7          |
| BVF1RF4RDSRGS-075            | 3/4  | 6.00            | 2.72 | 5.63 | 0.59 | 2.06 | 1.03 | 0.425 | 0.28 | 0.44 | 1.65 | ¼"-20 UNC | F04         | 7.2          |
| BVF1RF4RCSRGS-100            | 1    | 6.50            | 2.98 | 5.63 | 0.81 | 2.33 | 1.33 | 0.402 | 0.28 | 0.44 | 1.65 | ¼"-20 UNC | F04         | 8.1          |

<sup>†</sup>See "Style BVF1 Product Number Configuration" for additional options.

| BODY PRESSURE & TEMPERATURE RATINGS - NON SHOCK |                 |
|---|-----------------|
| MEDIA   | ½" to 1"        |
| W.O.G.  | 740 PSI @ 100°F |
| Saturated Steam (WSP)                           | 250 PSI @ 406°F |

|   |                          |
|---|--------------------------|
| <br>3400 CLEVELAND SKOKIE ILLINOIS | DRAWING NO.<br>AL 104900 |
|   | PART NO.                 |
| DIMENSIONAL ASSEMBLY  | SCALE: NTS               |
| Style BVF1 300lb. Unibody   | DATE: 10/17/2014         |
| Ball Valves   | DR. BY DSF               |
| MAT'L: (As Noted Above)   | REQ. ---                 |