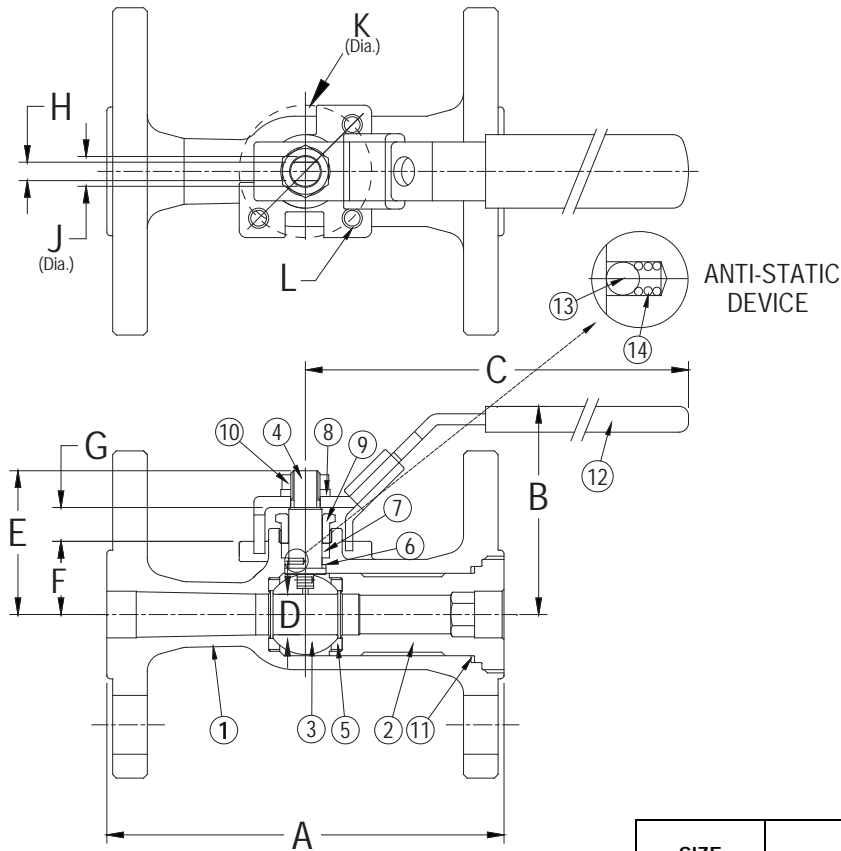


DRAWING NO.  
AL 104940




PARTS LIST		
ITEM	DESCRIPTION	MATERIAL
1	Body	Stainless Steel (ASTM 351, CF8M)
2	Tailpiece	Stainless Steel (ASTM 351, CF8M)
3	Ball	Stainless Steel (ASTM 351, CF8M) or 316SS
4	Stem	Stainless Steel (ASTM A 276, 316)
5	Seat (2)†	R-PTFE
6	Thrust Washer	PTFE
7	Stem Packing	Graphite
8	Lock Washer	Stainless Steel (304SS)
9	Packing Gland	Stainless Steel (ASTM A 276, 316)
10	Lock Nut	Stainless Steel (304SS)
11	Body Gasket	Graphite
12	Handle Assembly	Stainless Steel (300 Series SS)
13	Grounding Ball (2)	Stainless Steel (304SS)
14	Grounding Spring (2)	Stainless Steel (304SS)

Product Numbers <sup>†</sup>	SIZE	DIMENSIONS (in)											ISO Pattern	WEIGHT (lbs)
	in	A	B	C	D	E	F	G	H	J	K	L		
BVF1RF4RSSRGS�-050	1/2	5.50	2.21	5.04	0.43	1.53	0.78	0.350	0.20	0.31	1.42	¼"-20 UNC	F03	4.7
BVF1RF4RSSRGS�-075	3/4	6.00	2.72	5.63	0.59	2.06	1.03	0.425	0.28	0.44	1.65	¼"-20 UNC	F04	7.2
BVF1RF4RSSRGS�-100	1	6.50	2.98	5.63	0.81	2.33	1.33	0.402	0.28	0.44	1.65	¼"-20 UNC	F04	8.1

<sup>†</sup>See "Style BVF1 Product Number Configuration" for additional options.

BODY PRESSURE & TEMPERATURE RATINGS - NON SHOCK	
MEDIA	½" to 1"
W.O.G.	720 PSI @ 100°F
Saturated Steam (WSP)	250 PSI @ 406°F

 3400 CLEVELAND SKOKIE ILLINOIS	DRAWING NO. AL 104940
	PART NO.
DIMENSIONAL ASSEMBLY	SCALE: NTS
Style BVF1 300lb. Unibody	DATE: 10/17/2014
Ball Valves	DR. BY DSF
MAT'L: (As Noted Above)	REQ. ---