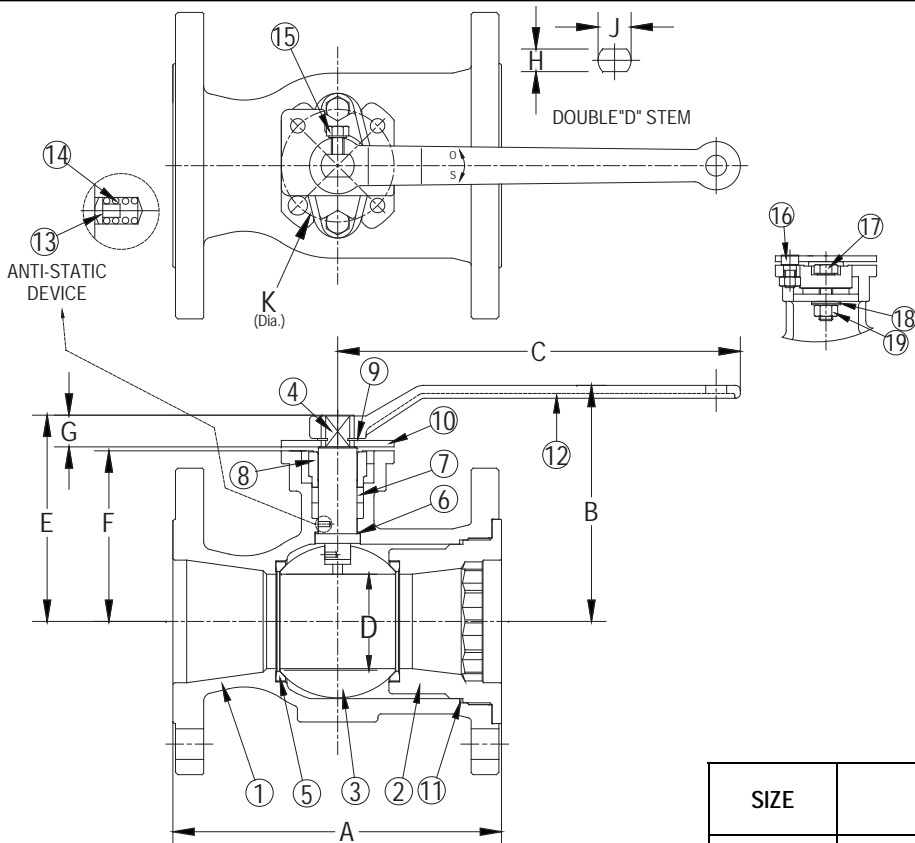


DRAWING NO.  
AL 104950




PARTS LIST		
ITEM	DESCRIPTION	MATERIAL
1	Body	Stainless Steel (ASTM A 351, CF8M)
2	Tailpiece	Stainless Steel (ASTM A 351, CF8M)
3	Ball	Stainless Steel (ASTM A 351, CF8M) or 316SS
4	Stem	Stainless Steel (ASTM A 276, 316)
5	Seat (2)+	R-PTFE
6	Thrust Washer	PTFE
7	Stem Packing	Graphite
8	Lock Washer	Stainless Steel (304SS)
9	Packing Gland	Stainless Steel (ASTM A 351, CF8M)
10	Lock Nut	Stainless Steel (304SS)
11	Body Gasket	Graphite
12	Handle Assembly	Stainless Steel (300 Series SS)
13	Grounding Ball (2)	Stainless Steel (304SS)
14	Grounding Spring (2)	Stainless Steel (304SS)
15	Handle Bolt	Stainless Steel (304SS)
16	Stop Bolt	Stainless Steel (304SS)
17	Packing Bolt (2)	Alloy Steel (ASTM A 193, B8)
18	Belleville Washers	Stainless Steel (300 Series SS)
19	Packing Nut (2)	Alloy Steel (ASTM A 194, 8)

Product Numbers <sup>†</sup>	SIZE	DIMENSIONS (in)										ISO Pattern	WEIGHT (lbs)
	in	A	B	C	D	E	F	G	H	J	K		
BVF1RF4RSSRGSL-150	1-1/2	7.50	4.07	10.02	1.19	3.33	2.55	0.76	0.55	0.71	2.76	F07	20.0
BVF1RF4RSSRGSL-200	2	8.50	4.83	10.02	1.50	4.08	3.29	0.76	0.55	0.71	2.76	F07	24.0
BVF1RF4RSSRGSL-300	3	11.12	5.73	10.02	2.31	4.99	4.17	0.76	0.55	0.71	2.76	F07	49.0
BVF1RF4RSSRGSL-400	4	12.00	6.99	18.11	2.99	6.42	5.12	1.26	0.67	1.03	4.01	F10	83.0
BVF1RF4RSSRGSL-600	6	15.88	8.43	18.11	4.49	7.85	6.50	1.26	0.67	1.03	4.01 & 4.92	F10 & F12	157.0

<sup>†</sup>See "Style BVF1 Product Number Configuration" for additional options.

BODY PRESSURE & TEMPERATURE RATINGS - NON SHOCK	
MEDIA	1½" to 6"
W.O.G.	720 PSI @ 100°F
Saturated Steam (WSP)	250 PSI @ 406°F

 3400 CLEVELAND SKOKIE ILLINOIS	DRAWING NO. AL 104950
	PART NO.
DIMENSIONAL ASSEMBLY	SCALE: NTS
Style BVF1 300lb. Unibody	DATE: 10/17/2014
Ball Valves	DR. BY DSF
MAT'L: (As Noted Above)	REQ. ---