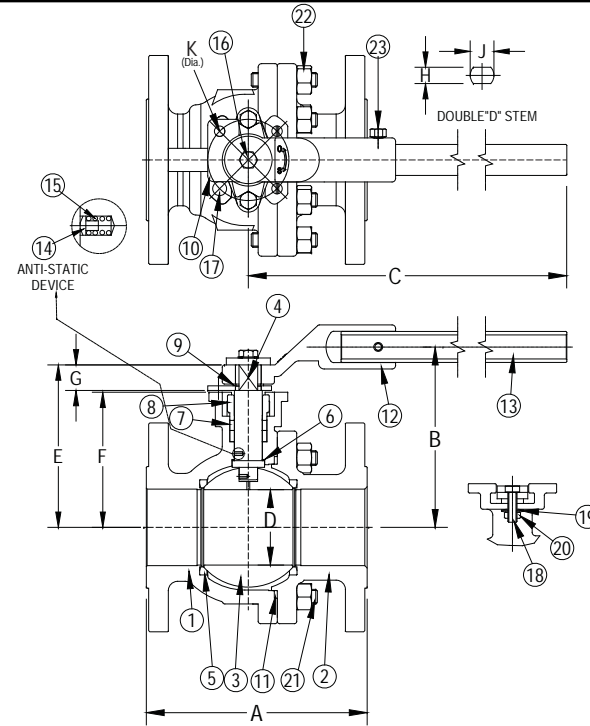


DRAWING NO.  
AL 105870

**PARTS LIST**

ITEM	DESCRIPTION	MATERIAL
1	Body	Stainless Steel (ASTM A 351, CF8M)
2	Tailpiece	Stainless Steel (ASTM A 351, CF8M)
3	Ball	Stainless Steel (ASTM A 351, CF8M) or 316SS
4	Stem	Stainless Steel (ASTM A 276, 316)
5	Seat (2)	R-PTFE
6	Thrust Washer	PTFE
7	Stem Packing	Graphite
8	Packing Gland	Stainless Steel (ASTM A 351, CF8M)
9	Retaining Ring	Stainless Steel (300 Series SS)
10	Lock Plate	Stainless Steel (304SS)
11	Body Gasket	Graphite
12	Handle	Stainless Steel (300 Series SS)
13	Handle Extension*	Carbon Steel
14	Grounding Ball (2)	Stainless Steel (316SS)
15	Grounding Spring (2)	Stainless Steel (304SS)
16	Handle Bolt	Stainless Steel (304SS)
17	Stop Bolt	Stainless Steel (304SS)
18	Packing Bolt (2)	Alloy Steel (ASTM A 193, B8)
19	Belleville Washers	Stainless Steel (300 Series SS)
20	Packing Nut (2)	Alloy Steel (ASTM A 194, 8)
21	Body Stud Bolts	Alloy Steel (ASTM A 193, B8)
22	Body Nuts	Alloy Steel (ASTM A 194, 8)
23	Handle Ext. Bolt*	Stainless Steel (304SS)

\*Note: Size 2-1/2" to 6" only.



SIZE	DIMENSIONS (in)										
	in	A	B	C	D	E	F	G	H	J	K
1-1/2	7.50	4.96	10.02	1.50	4.21	3.43	0.77	0.55	0.71	2.76	
2	8.50	5.30	10.02	2.00	4.53	3.72	0.77	0.55	0.71	2.76	
3	11.12	6.23	15.94	3.00	6.20	5.28	0.87	0.67	0.87	2.76	
4	12.00	7.31	18.11	4.00	7.16	6.18	0.91	0.87	1.11	4.02	
6	15.88	9.55	24.61	6.00	9.35	7.80	1.50	1.06	1.43	4.02 & 4.92	

**Product Numbers†**

BVF4RF2FSSRGSL-150	1-1/2	7.50	4.96	10.02	1.50	4.21	3.43	0.77	0.55	0.71	2.76
BVF4RF2FSSRGSL-200	2	8.50	5.30	10.02	2.00	4.53	3.72	0.77	0.55	0.71	2.76
BVF4RF2FSSRGSL-300	3	11.12	6.23	15.94	3.00	6.20	5.28	0.87	0.67	0.87	2.76
BVF4RF2FSSRGSL-400	4	12.00	7.31	18.11	4.00	7.16	6.18	0.91	0.87	1.11	4.02
BVF4RF2FSSRGSL-600	6	15.88	9.55	24.61	6.00	9.35	7.80	1.50	1.06	1.43	4.02 & 4.92

**BODY PRESSURE & TEMPERATURE RATINGS - NON SHOCK**

MEDIA	1½" to 6"
W.O.G.	720 PSI @ 100°F
Saturated Steam (WSP)	250 PSI @ 406°F

Size	ISO Pattern	WEIGHT (lbs)
1-1/2	F07	25.5
2	F07	32.0
3	F07	74.0
4	F10	122.7
6	F10 & F12	262.0

**KECKLEY**

3400 CLEVELAND SKOKIE ILLINOIS

DRAWING NO.  
AL 105870

DIMENSIONAL ASSEMBLY

PART NO.

Style BVF2 300lb. Split-body

SCALE: NTS

Ball Valves

DATE: 03/19/2015

MAT'L: (As Noted Above)

REQ. ---

DR. BY DSF