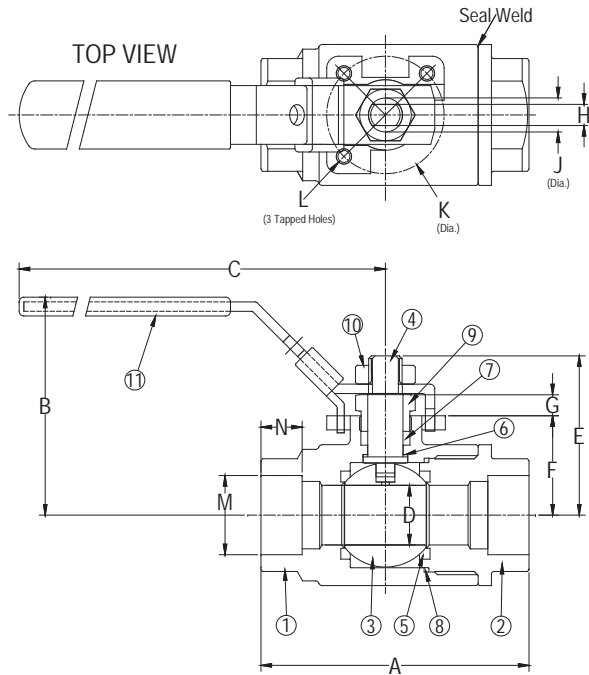


DRAWING NO.
AL 104960



PARTS LIST		
ITEM	DESCRIPTION	MATERIAL
1	Body	Carbon Steel (ASTM A 216 Gr. WCB)
2	Tailpiece	Carbon Steel (ASTM A 216 Gr. WCB)
3	Ball	Stainless Steel (ASTM A 276 Gr. 316)
4	Stem*	Stainless Steel (ASTM A 276 Gr. 316)
5	Seat (2)	PEEK
6	Thrust Washer	PEEK
7	Stem Packing	Graphite
8	Body Seal	Graphite
9	Packing Gland	Stainless Steel (ASTM A 276 Gr. 316)
10	Lock Nut	Stainless Steel (304SS)
11	Handle	Stainless Steel (300 Series SS)

*Size 1-1/2" & 2" S17400 SS.

Product Numbers [†]	SIZE	DIMENSIONS (in)													ISO Pattern	WEIGHT (lbs)
	in (Port)	A	B	C	D	E	F	G	H	J	K	L	M	N		
BVS3SWFCSPGSL-025	¼ (FP)	3.0	2.4	5.1	0.25	1.63	0.89	0.42	0.20	0.31	1.42	¼"-20 UNC	0.555	3/8	F03	1.6
BVS3SWRCSPGSL-038	3/8 (RP)	3.0	2.4	5.1	0.25	1.63	0.89	0.42	0.20	0.31	1.42	¼"-20 UNC	0.690	3/8	F03	1.6
BVS3SWFCSPGSL-050	½ (FP)	4.0	2.4	5.1	0.50	1.63	0.89	0.42	0.20	0.31	1.42	¼"-20 UNC	0.855	3/8	F03	1.8
BVS3SWFCSPGSL-075	¾ (FP)	4.3	3.0	5.6	0.75	2.22	1.29	0.42	0.28	0.44	1.65	¼"-20 UNC	1.065	1/2	F04	3.1
BVS3SWRCSPGSL-100	1 (RP)	4.3	3.0	5.6	0.75	2.22	1.29	0.42	0.28	0.44	1.65	¼"-20 UNC	1.330	1/2	F04	2.9
BVS3SWFCSPGSL-100	1 (FP)	4.5	3.5	7.4	1.00	2.80	1.65	0.43	0.35	0.56	1.97	¼"-20 UNC	1.330	1/2	F05	4.4
BVS3SWFCSPGSL-150	1-1/2 (FP)	5.3	4.6	14.0	1.50	3.87	2.49	0.52	0.39	0.62	2.76	5/16"-18 UNC	1.915	1/2	F07	10.9
BVS3SWRCSPGSL-200	2 (RP)	6.3	4.6	14.0	1.50	3.87	2.49	0.52	0.39	0.62	2.76	5/16"-18 UNC	2.406	5/8	F07	12.3

[†]See "Style BVS3 Product Number Configuration" for additional options.

BODY PRESSURE & TEMPERATURE RATINGS - NON SHOCK	
MEDIA	¼" to 2"
W.O.G.	3705 PSI @ 100°F
Saturated Steam (WSP)	250 PSI @ 406°F

 3400 CLEVELAND SKOKIE ILLINOIS	DRAWING NO. AL 104960
	PART NO.
DIMENSIONAL ASSEMBLY	SCALE: NTS
Style BVS3 Socket Weld Ends	DATE: 10/02/2015
Seal Welded High Pressure Ball Valves	DR. BY DSF
MAT'L: (As Noted Above)	REQ. ---