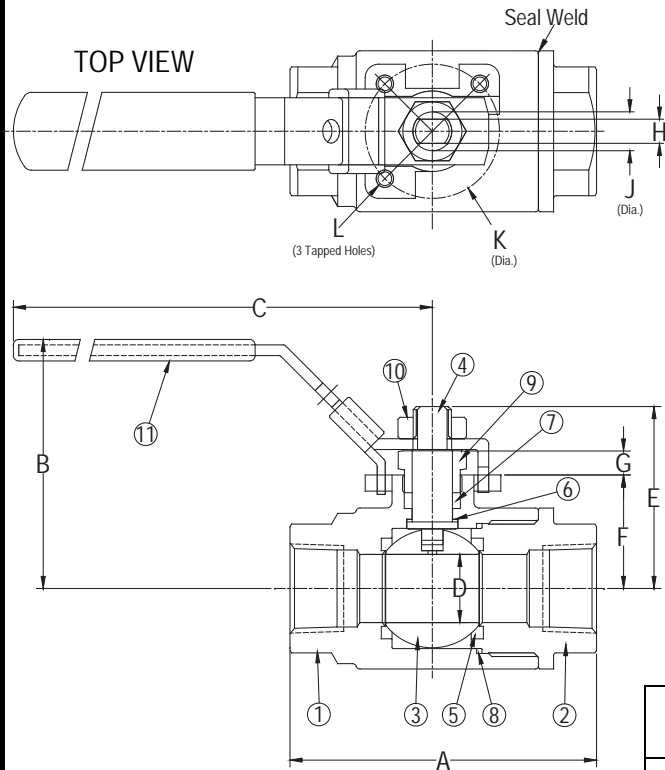


DRAWING NO.  
AL 104850



PARTS LIST		
ITEM	DESCRIPTION	MATERIAL
1	Body	Stainless Steel (ASTM A 351 Gr. CF8M)
2	Tailpiece	Stainless Steel (ASTM A 351 Gr. CF8M)
3	Ball	Stainless Steel (ASTM A 276 Gr. 316)
4	Stem*	Stainless Steel (ASTM A 276 Gr. 316)
5	Seat (2)†	Delrin AF
6	Thrust Washer	Delrin AF
7	Stem Packing	Graphite
8	Body Seal	Graphite
9	Packing Gland	Stainless Steel (ASTM A 276 Gr. 316)
10	Lock Nut	Stainless Steel (304SS)
11	Handle	Stainless Steel (300 Series SS)


\*Size 1-1/2" & 2" S17400 SS.  
†Optional PEEK Seats for High Temp Service are available.

Product Numbers <sup>†</sup>	SIZE in (Port)	DIMENSIONS (in)											ISO Pattern	WEIGHT (lbs)
		A	B	C	D	E	F	G	H	J	K	L		
BVS3THFSSAGSL-025	¼ (FP)	3.0	2.4	5.1	0.25	1.63	0.89	0.42	0.20	0.31	1.42	¼"-20 UNC	F03	1.6
BVS3THRSSAGSL-038	3/8 (RP)	3.0	2.4	5.1	0.25	1.63	0.89	0.42	0.20	0.31	1.42	¼"-20 UNC	F03	1.6
BVS3THFSSAGSL-050	½ (FP)	4.0	2.4	5.1	0.50	1.63	0.89	0.42	0.20	0.31	1.42	¼"-20 UNC	F03	1.8
BVS3THFSSAGSL-075	¾ (FP)	4.3	3.0	5.6	0.75	2.22	1.29	0.42	0.28	0.44	1.65	¼"-20 UNC	F04	3.1
BVS3THRSSAGSL-100	1 (RP)	4.3	3.0	5.6	0.75	2.22	1.29	0.42	0.28	0.44	1.65	¼"-20 UNC	F04	2.9
BVS3THFSSAGSL-100	1 (FP)	4.5	3.5	7.4	1.00	2.80	1.65	0.43	0.35	0.56	1.97	¼"-20 UNC	F05	4.4
BVS3THFSSAGSL-150	1-1/2 (FP)	5.3	4.6	14.0	1.50	3.87	2.49	0.52	0.39	0.62	2.76	5/16"-18 UNC	F07	10.9
BVS3THRSSAGSL-200	2 (RP)	6.3	4.6	14.0	1.50	3.87	2.49	0.52	0.39	0.62	2.76	5/16"-18 UNC	F07	12.3

<sup>†</sup>See "Style BVS3 Product Number Configuration" for additional options.

BODY PRESSURE & TEMPERATURE RATINGS - NON SHOCK	
MEDIA	¼" to 2"
W.O.G.	3600 PSI @ 100°F
Saturated Steam (WSP)	Delrin AF Seats (No Steam Rating)

Note: Optional PEEK Seats WSP is 250 PSIG @ 406°F

 3400 CLEVELAND SKOKIE ILLINOIS	DRAWING NO. AL 104850
	PART NO.
DIMENSIONAL ASSEMBLY	SCALE: NTS
Style BVS3 NPT Ends	DATE: 10/02/2015
Seal Welded High Pressure Ball Valves	DR. BY DSF
MAT'L: (As Noted Above)	REQ. ---