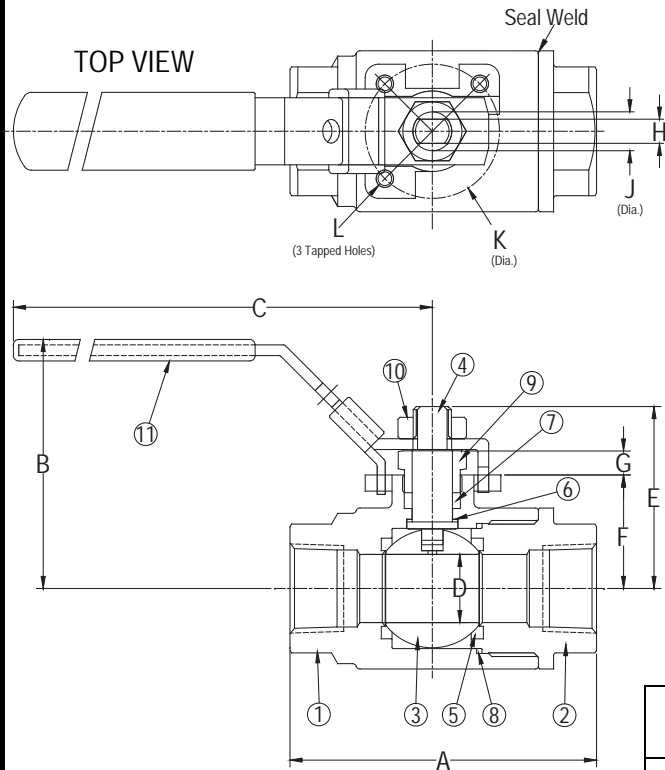


DRAWING NO.
AL 104870




PARTS LIST		
ITEM	DESCRIPTION	MATERIAL
1	Body	Stainless Steel (ASTM A 351 Gr. CF8M)
2	Tailpiece	Stainless Steel (ASTM A 351 Gr. CF8M)
3	Ball	Stainless Steel (ASTM A 276 Gr. 316)
4	Stem	Stainless Steel (S17400 SS)
5	Seat (2)†	PEEK
6	Thrust Washer	PEEK
7	Stem Packing	Graphite
8	Body Seal	Graphite
9	Packing Gland	Stainless Steel (ASTM A 276 Gr. 316)
10	Lock Nut	Stainless Steel (304SS)
11	Handle	Stainless Steel (300 Series SS)

Product Numbers†	SIZE in (Port)	DIMENSIONS (in)											ISO Pattern	WEIGHT (lbs)
		A	B	C	D	E	F	G	H	J	K	L		
BVS6THFSSPGSL-025	¼ (FP)	3.0	2.4	5.1	0.25	1.63	0.89	0.42	0.20	0.31	1.42	¼"-20 UNC	F03	1.7
BVS6THRSSPGSL-038	3/8 (RP)	3.0	2.4	5.1	0.25	1.63	0.89	0.42	0.20	0.31	1.42	¼"-20 UNC	F03	1.7
BVS6THFSSPGSL-050	½ (FP)	4.0	2.4	5.1	0.50	1.63	0.89	0.42	0.20	0.31	1.42	¼"-20 UNC	F03	2.1
BVS6THFSSPGSL-075	¾ (FP)	4.3	3.0	5.6	0.75	2.22	1.29	0.42	0.28	0.44	1.65	¼"-20 UNC	F04	3.5
BVS6THRSSPGSL-100	1 (RP)	4.3	3.0	5.6	0.75	2.22	1.29	0.42	0.28	0.44	1.65	¼"-20 UNC	F04	4.0
BVS6THFSSPGSL-100	1 (FP)	4.5	3.5	7.4	1.00	2.80	1.65	0.43	0.35	0.56	1.97	¼"-20 UNC	F05	6.0
BVS6THFSSPGSL-150	1-1/2 (FP)	5.3	4.6	14.0	1.50	3.87	2.47	0.54	0.39	0.62	2.76	5/16"-18 UNC	F07	13.7
BVS6THRSSPGSL-200	2 (RP)	6.3	4.6	14.0	1.50	3.87	2.47	0.54	0.39	0.62	2.76	5/16"-18 UNC	F07	16.5

†See "Style BVS6 Product Number Configuration" for additional options.

BODY PRESSURE & TEMPERATURE RATINGS - NON SHOCK	
MEDIA	¼" to 2"
W.O.G.	6170 PSI @ 100°F
Saturated Steam (WSP)	250 PSI @ 406°F

 3400 CLEVELAND SKOKIE ILLINOIS	DRAWING NO. AL 104870
	PART NO.
DIMENSIONAL ASSEMBLY	SCALE: NTS
Style BVS6 NPT Ends	DATE: 10/02/2015
Seal Welded High Pressure Ball Valves	DR. BY DSF
MAT'L: (As Noted Above)	REQ. ---