

Iron Body (ASTM A 126, CLASS B)

Style D 250# Threaded ½" – 2"	2
Style DV 250# Threaded ½" – 2"	2
Technical Data.....	3
Style KT-7 125# Threaded ¾" – 3"	4
Technical Data.....	5
Style D 125# Flange 2" – 12"	6
Style D 250# Flange 2" – 12"	6
Style DV 125# Flange 2" – 12"	6
Style DV 250# Flange 2" – 12"	6
Technical Data.....	7
Style GFV 125# Flange 2" – 16"	8
Style GFV 250# Flange 2" – 6"	8
Technical Data.....	9
Style GFV-K 125# Flange 2" – 12"	10
Technical Data.....	11

Ductile Iron Body (ASTM A 536, GRADE 65-45-12)

Style KF-7 150# Flange 1½" – 12"	12
Technical Data.....	13

Bronze Body (ASTM B 62, C83600)

Style BGFV 150# Flange 1½" – 12"	14
Style BGFV 300# Flange 1½" – 12"	14
Technical Data.....	15

Pressure Drop Charts

Styles D, DV, BD, BDV, SD, SD-K, SSD, and SSD-K	28
Styles GFV, HLC, BGFV, SGFV, SGFV-K, SSGFV, and SSGFV-K.....	29
Styles BKF-7 and KF-7.....	30
Style KT-7.....	31

Bronze Body (Cont.) (ASTM B 62, C83600)

Style BD 125# Flange 2" – 12"	16
Style BD 250# Flange 2" – 12"	16
Style BDV 125# Flange 2" – 12"	16
Style BDV 250# Flange 2" – 12"	16
Technical Data.....	17

Nickel Aluminum Bronze Body (ASTM B 148, C95800)

Style BKF-7 150# Flange 1½" – 12"	18
Technical Data.....	19

Carbon Steel Body (ASTM A 216, Grade WCB)

Style SD 300# Threaded ¾" – 3"	20
Style SD-K 150# Threaded ¾" – 3"	20
Technical Data.....	21
Style SGFV 150# Flange 2" – 14"	22
Style SGFV-K 150# Flange 2" – 14"	22
Style SGFV 300# Flange 2" – 14"	22
Technical Data.....	23

316 Stainless Steel Body (ASTM A 351, GRADE CF8M)

Style SSD 300# Threaded ¾" – 3"	24
Style SSD-K 150# Threaded ¾" – 3"	24
Technical Data.....	25
Style SSGFV 150# Flange 2" – 14"	26
Style SSGFV-K 150# Flange 2" – 14"	26
Style SSGFV 300# Flange 2" – 14"	26
Technical Data.....	27

Style D & DV

Basket Strainer

Cast Iron (ASTM A 126, Class B)

250 lb. Threaded



½" - 1½" supplied with a threaded cover.



2" supplied with a bolted cover.

Cast Iron Basket Strainer

APPLICATIONS

Steam, water, oil or gas where protection from foreign matter in a pipeline is required.

CONSTRUCTION

The Keckley Style D strainers are constructed from rugged cast iron castings that are machined to exacting specifications.

FEATURES

The Keckley Style D & DV strainers feature a machined basket seat to minimize particle bypass. The Style D strainer in sizes 1-1/2" and smaller, use a threaded bushing to seat the basket screen in the body. In the 2" size strainer, a synthetic fiber gasket is compressed between the body and cover for maximum strength and durability. All Keckley Style D & DV strainers are furnished standard with a tapped and plugged NPT drain connection.

BASKETS

Standard baskets are 304 stainless steel and are spot welded for maximum strength. Different size perforations and meshes are available in stainless steel, monel, and brass to meet specific media requirements. If media is not indicated, screens for *water* will be supplied.

CLEANING

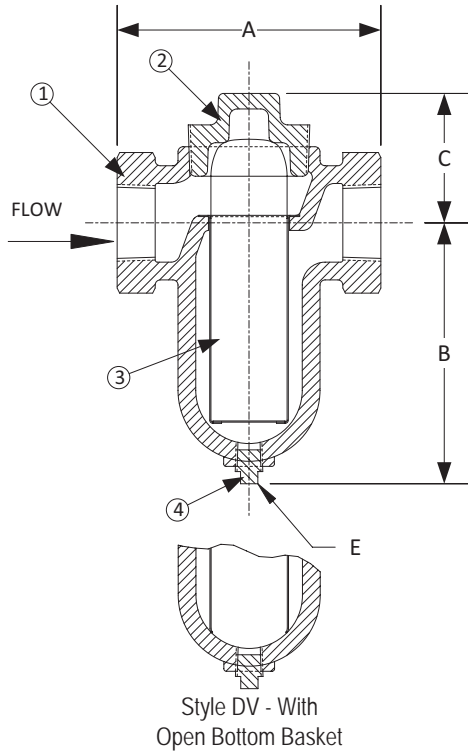
Cleaning of the Style D strainer is accomplished by removing the cover and pulling out the basket. The Style DV basket has an open bottom and is cleaned by blowing trapped material out through the blow-off connection similar to a "Y" type strainer. **Warning:** See Maintenance Instructions on page S6 of the Strainer Information Section for additional precautions and detailed information on servicing the strainer.

WORKING PRESSURES - NON SHOCK

NOM. RATING	MEDIA	1/2" to 2"	15 mm to 50 mm
250# (Threaded)	STEAM	250 PSI @ 406°F	1724 KPa @ 208°C
	W.O.G.	400 PSI @ 150°F	2759 KPa @ 66°C

GOVERNMENT/MILITARY SPECIFICATIONS

Style D & DV cast iron threaded basket strainers meet or exceed government specification WW-S-2739 (Supersedes MIL-S-16293).



Style D & DV

Basket Strainer, 250 lb. Threaded Cast Iron (ASTM A 126, Class B)

PARTS LIST		
ITEM	DESCRIPTION	MATERIAL
1	Body	Cast Iron (ASTM A 126, Class B)
2	Cover Cap*	Malleable Iron
3	Basket	Stainless Steel (304)
4	Pipe Plug	Cast Iron

*2" Size has a bolted cap with gasket.

STANDARD SCREENS SUPPLIED

SIZE		SCREEN GAGE	SCREEN PERFORMANCE					
			FOR STEAM		OPEN AREA	FOR LIQ-UID		
in	mm		in	mm	AREA	in	mm	AREA

Standard screens supplied are for **liquid service**, unless otherwise specified. Options: Other meshes, perforations, and screen materials are available.

SIZE		DIMENSIONS								WEIGHTS	
		A		B		C		E			
in	mm	in	mm	in	mm	in	mm	in	mm	lbs	kgs
1/2	15	5-1/8	130	4-5/8	118	2-13/16	71	3/8	10	6	3
3/4	20	5-1/8	130	4-5/8	118	2-13/16	71	3/8	10	6	3
1	25	5-1/8	130	4-5/8	118	2-13/16	71	3/8	10	6	3
1-1/4	32	6-1/2	165	6-7/16	164	2-3/4	70	3/8	10	16	7
1-1/2	40	6-1/2	165	6-7/16	164	2-3/4	70	3/8	10	16	7
2	50	8-3/4	222	3-15/16	100	5-1/4	133	1/2	15	20	9

Certified dimensional drawings are available upon request.

*This table reflects only the nearest metric equivalents.

FLOW COEFFICIENTS

Size	C _v	Size	C _v	Size	C _v
1/2"	19.9	1"	19.9	1-1/2"	35.4
3/4"	19.9	1-1/4"	35.4	2"	55.7

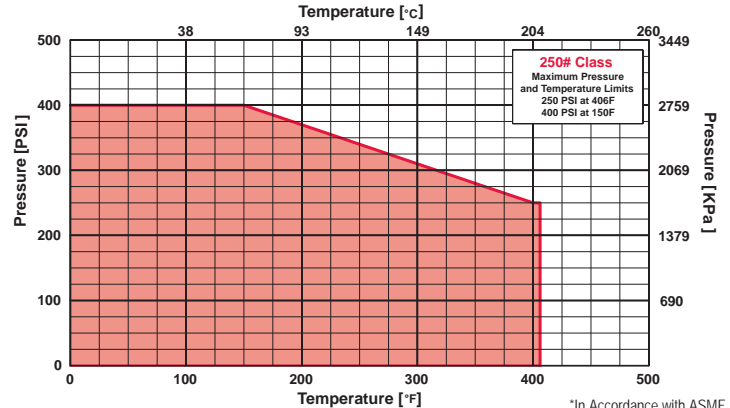
TOTAL SCREEN AREA

Size	(in ²)	Size	(in ²)	Size	(in ²)
1/2"	20.26	1"	20.26	1-1/2"	34.91
3/4"	20.26	1-1/4"	34.391	2"	39.45

*See DETERMINING RATIOS on page S5 of the Strainer Information Section for calculating NET FREE AREA of the screen to inside pipe area.

PRESSURE vs. TEMPERATURE CHART

250# Threaded Cast Iron (ASTM A 126, Class B)



*In Accordance with ASME B16.4

Style KT-7

Basket Strainer

Cast Iron (ASTM A 126, Class B)

125 lb. Threaded



Cast Iron Basket Strainer

APPLICATIONS

Water, oil or gas where protection from foreign matter in a pipeline is required.

CONSTRUCTION

The Keckley Style KT-7 strainers are constructed from rugged cast iron castings and are machined to exacting specifications.

FEATURES

The Keckley threaded KT-7 strainers feature a machined basket seat to minimize particle bypass. The Style KT-7 is furnished with a Buna-N o-ring and is limited to 150°F. Keckley threaded Style KT-7 strainers have knobs for quick opening. All units are furnished standard with a tapped and plugged NPT drain connection.

BASKETS

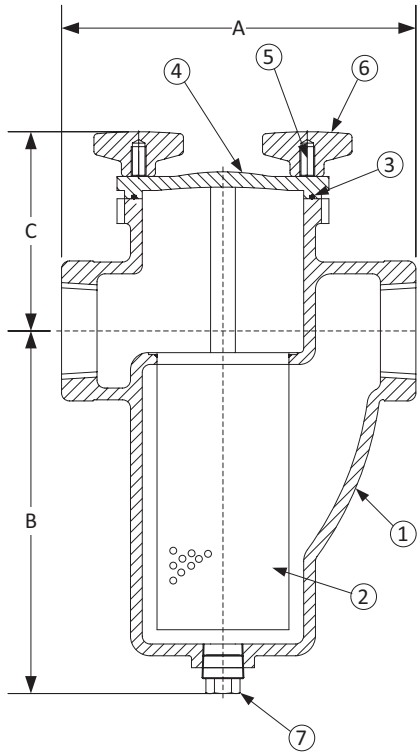
Standard baskets are 304 stainless steel and are spot welded for maximum strength. Different size perforations and meshes are available in stainless steel, monel, and brass to meet specific media requirements. If media is not indicated, screens for *water* will be supplied.

CLEANING

Cleaning of the Style KT-7 strainer is accomplished by removing the cover and pulling out the basket. **Warning:** See Maintenance Instructions on page S6 of the Strainer Information Section for additional precautions and detailed information on servicing the strainer.

WORKING PRESSURES - NON SHOCK

NOM. RATING	MEDIA	3/8" to 3"	10 mm to 80 mm
125# (Threaded)	W.O.G.	200 PSI @ 150°F	1379 KPa @ 66°C



Style KT-7

Basket Strainer, 125 lb. Threaded
Cast Iron (ASTM A 126, Class B)

PARTS LIST		
ITEM	DESCRIPTION	MATERIAL
1	Body	Cast Iron (ASTM A 126, Class B)
2	Basket	Stainless Steel (304)
3	O-ring	Buna-N (Max Temperature 150°F)
4	Cover	Cast Iron (ASTM A 126, Class B)
5	Studs	Carbon Steel (ASTM A 193, Grade B7)
6	Knobs	Cast Iron (ASTM A 126, Class B)
7	Plug	Cast Iron (ASTM A 126, Class B)

STANDARD SCREENS SUPPLIED					
SIZE		SCREEN GAGE	SCREEN PERFORATION FOR LIQUID		OPEN AREA
in	mm		in	mm	
3/8 to 3	10 to 80	28	1/16	1.6	30%

Options: Other meshes, perforations, and screen materials are available.

SIZE		DIMENSIONS								WEIGHTS	
		A		B		C		E			
in	mm	in	mm	in	mm	in	mm	in	mm	lbs	kgs
3/8	10	4-9/16	116	4	102	3-1/8	79	3/8	10	7	2.9
1/2	15	4-9/16	116	4	102	3-1/8	79	3/8	10	7	2.9
3/4	20	4-9/16	116	4	102	3-1/8	79	3/8	10	7	2.9
1	25	5-5/16	135	4-7/8	124	3	76	3/8	10	10	4.2
1-1/4	32	6-5/16	160	6-1/2	165	4-1/8	105	1/2	15	17	7.5
1-1/2	40	6-5/16	160	6-1/2	165	4-1/8	105	1/2	15	17	7.5
2	50	8-1/4	210	7-7/8	200	4-3/4	121	3/4	20	28	12.3
2-1/2	65	9-5/8	245	8-3/4	222	4	102	1	25	31	13.8
3	80	11-1/4	286	11-3/8	289	5-7/8	149	1	25	45	20.2

Certified dimensional drawings are available upon request.

*This table reflects only the nearest metric equivalents.

FLOW COEFFICIENTS

Size	C _v	Size	C _v	Size	C _v
3/8"	15	1"	24	2"	70
1/2"	15	1-1/4"	44	2-1/2"	121
3/4"	15	1-1/2"	44	3"	158

TOTAL SCREEN AREA

Size	(in ²)	Size	(in ²)	Size	(in ²)
3/8"	12.56	1"	20.17	2"	67.75
1/2"	12.56	1-1/4"	40.23	2-1/2"	75.57
3/4"	12.56	1-1/2"	40.23	3"	132.89

*See DETERMINING RATIOS on page S5 of the Strainer Information Section for calculating NET FREE AREA of the screen to inside pipe area.

Style D & DV

Basket Strainer

Cast Iron (ASTM A 126, Class B)

125 lb. & 250 lb. Flanged



Cast Iron Basket Strainer

APPLICATIONS

Steam, water, oil or gas where protection from foreign matter in a pipeline is required.

CONSTRUCTION

The Keckley Style D & DV strainers are constructed from rugged cast iron castings that are machined to exacting specifications. These bodies have drilled flanges that are in accordance with ASME B16.1.

FEATURES

The Keckley Style D & DV strainers feature a machined basket seat to minimize particle bypass. All sizes have a bolted top cover flange for ease in basket removal. The gasket is a synthetic fiber gasket is compressed between the body and cover for maximum strength and durability. All Keckley Style D & DV strainers are furnished standard with a tapped and plugged NPT drain connection.

BASKETS

Standard baskets are 304 stainless steel and are spot welded for maximum strength. Different size perforations and meshes are available in stainless steel, monel, and brass to meet specific media requirements. If media is not indicated, screens for *water* will be supplied.

CLEANING

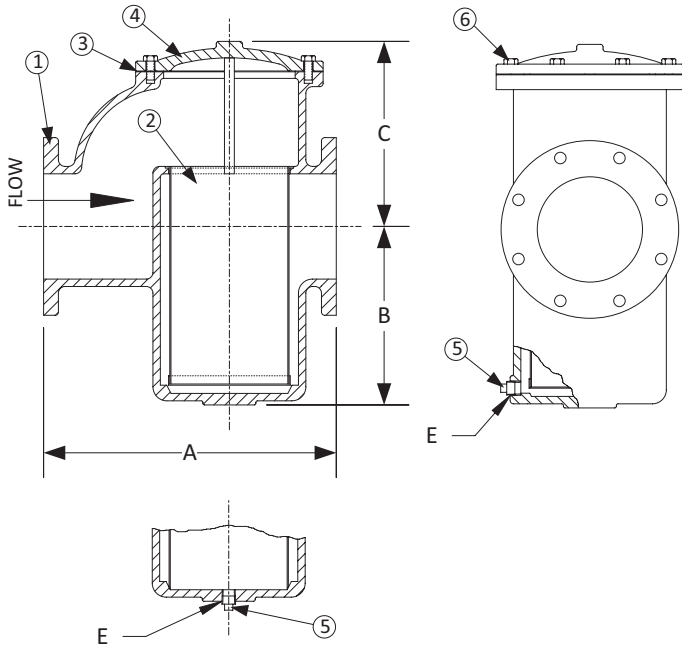
Cleaning of the Style D strainer is accomplished by removing the cover and pulling out the basket. The Style DV basket has an open bottom and is cleaned by blowing trapped material out through the blow-off connection similar to a "Y" type strainer. **Warning:** See Maintenance Instructions on page S6 of the Strainer Information Section for additional precautions and detailed information on servicing the strainer.

WORKING PRESSURES - NON SHOCK

NOM. RATING	MEDIA	2" to 12"	50 mm to 300 mm
125# F.F. & D (STANDARD FLANGE)	STEAM	125 PSI @ 450°F	862 KPa @ 232°C
	W.O.G.	200 PSI @ 150°F	1379 KPa @ 66°C
NOM. RATING	MEDIA	2" to 12"	50 mm to 300 mm
250# R.F. & D (EX. HEAVY FLANGE)	STEAM	250 PSI @ 450°F	1724 KPa @ 232°C
	W.O.G.	500 PSI @ 150°F	3449 KPa @ 66°C

GOVERNMENT/MILITARY SPECIFICATIONS

Style D & DV cast iron flanged basket strainers meet or exceed government specification WW-S-2739 (Supersedes MIL-S-16293).



Style DV has a bottom blow off with an open bottom basket.

Style D & DV

Basket Strainer, 125 lb. & 250 lb. Flanged Cast Iron (ASTM A 126, Class B)

PARTS LIST

ITEM	DESCRIPTION	MATERIAL
1	Body	Cast Iron (ASTM A 126, Class B)
2	Basket	Stainless Steel (304)
3	Gasket	Composition
4	Cover	Cast Iron (ASTM A 126, Class B)
5	Pipe Plug	Malleable Iron
6	Hex Head Cap Screws	Steel

STANDARD SCREENS SUPPLIED

SIZE		SCREEN GAGE	SCREEN PERFORMANCE					
in	mm		FOR STEAM		OPEN AREA	FOR LIQ-UID		OPEN AREA
			in	mm		in	mm	
2 to 5	50 to 125	28	1/16	1.6	30%	1/8	3.2	43%
6 to 8	150 to 200	24	1/8	3.2	43%	1/8	3.2	43%

Standard screens supplied are for **liquid service**, unless otherwise specified. Options: Other meshes, perforations, and screen materials are available.

SIZE		DIMENSIONS										WEIGHTS			
		A		B		C		E		125#		250#			
		125#	250#	125# & 250#	125# & 250#	125# & 250#	125# & 250#	125#	250#	lbs	kgs	lbs	kgs		
in	mm	in	mm	in	mm	in	mm	in	mm	in	mm	lbs	kgs	lbs	kgs
2	50	8	203	8-1/2	216	3-15/16	100	5-1/4	133	1/2	15	23	10	29	13
2-1/2	65	9	229	9-5/8	245	4	102	6	152	1/2	15	33	15	42	19
3	80	10	254	10-3/4	273	5	127	7	178	1/2	15	45	21	55	25
4	100	13-1/4	337	13-7/8	352	6-3/4	171	9-1/2	241	1/2	15	116	53	122	55
5	125	16-7/8	429	17-3/4	451	9-7/8	251	12	305	3/4	20	165	75	195	88
6	150	17	432	17-7/8	454	9-7/8	251	12	305	3/4	20	175	79	211	96
8	200	22-1/4	565	23-1/4	591	13-3/4	349	14	356	3/4	20	345	156	410	186
10	250	26	660	27-3/8	695	17	432	18	457	3/4	20	688	312	748	339
12	300	30-1/4	768	31-3/4	806	20-5/8	524	21	533	2	50	1135	515	1285	583

Certified dimensional drawings are available upon request.

[†]This table reflects only the nearest metric equivalents.

FLOW COEFFICIENTS

Size	C _v	Size	C _v	Size	C _v
2"	55.7	4"	208.7	8"	784.3
2-1/2"	88.5	5"	354.2	10"	1208.0
3"	123.3	6"	430.1	12"	1868.9

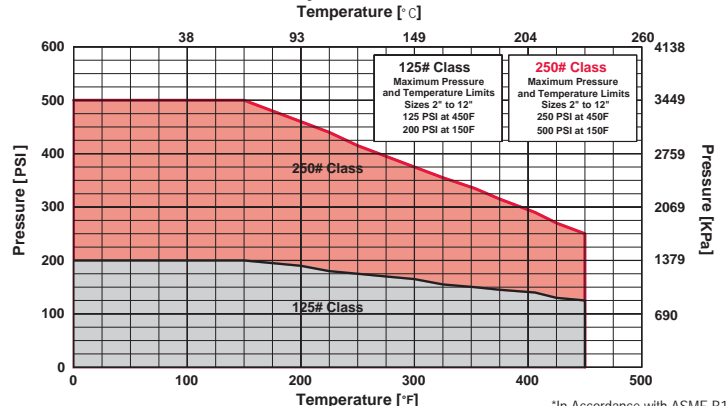
TOTAL SCREEN AREA

Size	(in ²)	Size	(in ²)	Size	(in ²)
2"	39.45	4"	152.58	8"	529.98
2-1/2"	51.66	5"	295.54	10"	808.58
3"	84.84	6"	295.54	12"	1252.0

*See DETERMINING RATIOS on page S5 of the Strainer Information Section for calculating NET FREE AREA of the screen to inside pipe area.

PRESSURE vs. TEMPERATURE CHART

125# & 250# Flanged Cast Iron (ASTM A 126, Class B)



[†]In Accordance with ASME B16.1

Style GFV

Basket Strainer

Cast Iron (ASTM A 126, Class B)

125 lb. & 250 lb. Flanged



Cast Iron Basket Strainer

APPLICATIONS

Steam, water, oil or gas where protection from foreign matter in a pipeline is required.

CONSTRUCTION

The Keckley Style GFV strainers are constructed from rugged cast iron castings that are machined to exacting specifications. These bodies have drilled flanges that are in accordance with ASME B16.1.

FEATURES

The Keckley Style GFV strainers feature a basket with an angular cutaway design to allow straight through flow and extremely low pressure loss. All sizes have a bolted top cover flange for ease in basket removal. The gasket is a synthetic fiber and is compressed between the body and cover for maximum strength and durability. Keckley Style GFV strainers are furnished standard with a tapped and plugged NPT drain connection.

BASKETS

Standard baskets are 304 stainless steel and are spot welded for maximum strength. Different size perforations and meshes are available in stainless steel, monel, and brass to meet specific media requirements. If media is not indicated, screens for *water* will be supplied.

CLEANING

Cleaning of the Style GFV strainer is accomplished by removing the cover and pulling out the basket. **Warning:** See Maintenance Instructions on page S6 of the Strainer Information Section for additional precautions and detailed information on servicing the strainer.

WORKING PRESSURES - NON SHOCK

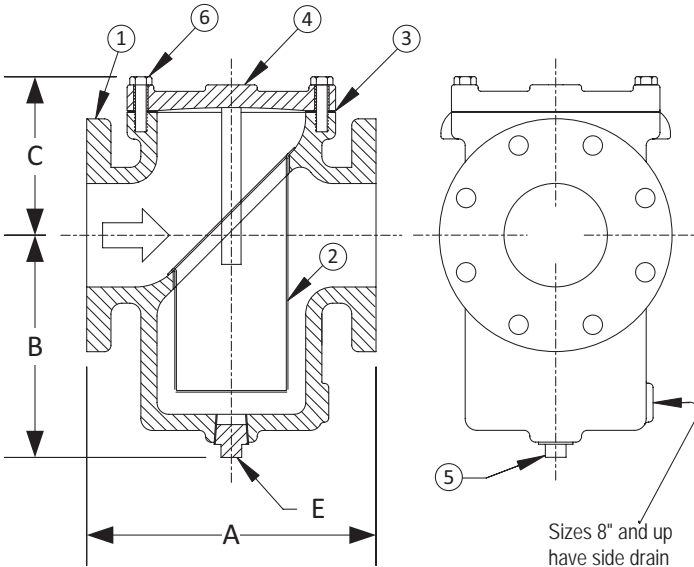
NOM. RATING	MEDIA	2" to 12"	50 mm to 300 mm
125# F.F. & D (STANDARD FLANGE)	STEAM	125 PSI @ 450°F	862 KPa @ 232°C
	W.O.G.	200 PSI @ 150°F	1379 KPa @ 66°C
	MEDIA	14" and UP	350 mm and UP
	STEAM	100 PSI @ 353°F	690 KPa @ 178°C
	W.O.G.	150 PSI @ 150°F	1035 KPa @ 66°C
	NOM. RATING	MEDIA	2" to 6"
250# R.F. & D (EX. HEAVY FLANGE)	STEAM	250 PSI @ 450°F	1724 KPa @ 232°C
	W.O.G.	500 PSI @ 150°F	3449 KPa @ 66°C

GOVERNMENT/MILITARY SPECIFICATIONS

Style GFV cast iron flanged basket strainers meet or exceed government specification WW-S-2739 (Supersedes MIL-S-16293).

Style GFV

Basket Strainer, 125 lb. & 250 lb. Flanged
Cast Iron (ASTM A 126, Class B)



PARTS LIST		
ITEM	DESCRIPTION	MATERIAL
1	Body	Cast Iron (ASTM A 126, Class B)
2	Basket	Stainless Steel (304)
3	Gasket	Composition
4	Cover	Cast Iron (ASTM A 126, Class B)
5	Pipe Plug	Malleable Iron
6	Hex Head Cap Screws	Steel

STANDARD SCREENS SUPPLIED								
SIZE		SCREEN GAGE	SCREEN PERFORMANCE					
			FOR STEAM		OPEN AREA	FOR LIQ-UID		OPEN AREA
in	mm	in	mm	in		mm	in	
2 to 4	50 to 100	28	3/64	1.2	33%	1/16	1.6	30%

Standard screens supplied are for **liquid service**, unless otherwise specified.
Options: Other meshes, perforations, and screen materials are available.

SIZE		DIMENSIONS															
		A				B				C				E			
		125#		250#		125#		250#		125#		250#		125#		250#	
in	mm	in	mm	in	mm	in	mm	in	mm	in	mm	in	mm	in	mm	in	mm
2	50	8	203	8-1/2	216	6	152	3-7/8	98	3-1/2	89	5-1/4	133	3/4	20	1/2	15
2-1/2	65	8-1/4	210	9-1/4	235	7	178	5-3/4	146	3-3/4	95	5-1/4	133	3/4	20	3/4	20
3	80	9-3/4	248	9-1/2	241	8-1/4	210	5-3/4	146	4-1/4	108	5-1/4	133	3/4	20	3/4	20
4	100	11-1/2	292	11-13/16	300	9	229	8-9/16	217	4-3/4	121	6	152	1	25	1	25
5	125	13-1/8	333	15-3/8	391	9-3/4	248	10-1/2	267	6	152	7-3/4	197	1	25	1	25
6	150	14-3/4	375	15-1/2	394	10-1/2	267	10-1/2	267	6-1/4	159	7-3/4	197	1	25	1	25
8	200	18-1/2	470	See Style D 250 lb.	Consult Fac- tory	12-3/4	324	See Style D 250 lb.	Consult Fac- tory	9	229	See Style D 250 lb.	Consult Fac- tory	1-1/2	40	See Style D 250 lb.	Consult Fac- tory
10	250	20-1/8	511			14-3/4	375			10-3/4	273			1-1/2	40		
12	300	26-1/4	667			17-1/2	445			13-1/2	343			2	50		
14	350	30-1/4	768	Consult Fac- tory	Consult Fac- tory	23-1/2	591	Consult Fac- tory	Consult Fac- tory	14-1/4	362	Consult Fac- tory	Consult Fac- tory	3	80	Consult Fac- tory	Consult Fac- tory
16	400	33-1/8	841			24-1/4	616			15	381			3	80		

Consult factory for sizes not shown.

Certified dimensional drawings are available upon request.

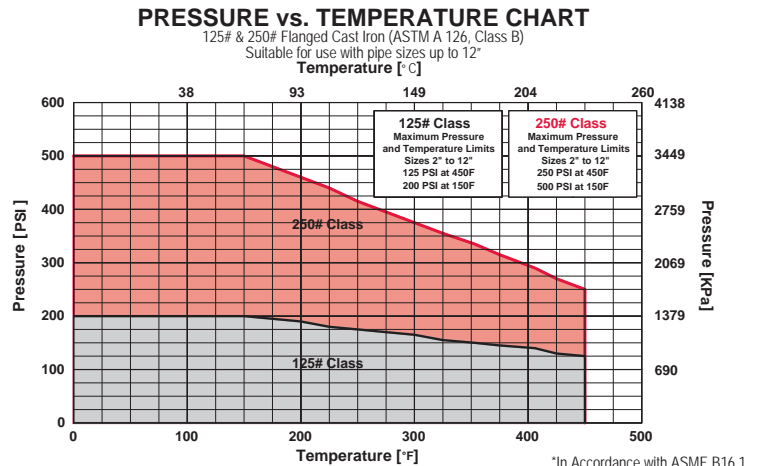
[†]This table reflects only the nearest metric equivalents.

WEIGHTS											
Size	2"	3"	4"	5"	6"	8"	10"	12"	14"	16"	
125	lbs	23	33	44	67	88	120	220	353	523	814
	kgs	10	15	20	30	40	54	100	160	237	369
250	lbs	29	53	65	107	187	224	See Style D 250 lb.			
	kgs	13	24	29	49	85	102				

FLOW COEFFICIENTS					
Size	C _v	Size	C _v	Size	C _v
2"	42.7	4"	276.7	8"	1486.3
2-1/2"	77.5	5"	442.7	10"	3051.6
3"	120.2	6"	743.1	12"	4980.6

TOTAL SCREEN AREA					
Size	(in ²)	Size	(in ²)	Size	(in ²)
2"	29.27	4"	108.44	8"	310.03
2-1/2"	45.11	5"	142.29	10"	457.06
3"	78.20	6"	176.75	12"	691.07

*See DETERMINING RATIOS on page S5 of the Strainer Information Section for calculating NET FREE AREA of the screen to inside pipe area.



[†]In Accordance with ASME B16.1

Style GFV-K

Basket Strainer

Cast Iron (ASTM A 126, Class B)

125 lb. Flanged
Clamp Cover



Cast Iron Basket Strainer

APPLICATIONS

The Keckley Style GFV-K is designed for liquid service where a quick open cover and protection from foreign matter in pipelines is required.

CONSTRUCTION

The Keckley Style GFV-K strainers are constructed from rugged cast iron castings and are machined to exacting specifications. These bodies have drilled flanges that are in accordance with ASME B16.1.

FEATURES

The Keckley Style GFV-K strainers feature a basket with an angular cutaway design to allow straight through flow and extremely low pressure loss. All sizes have a quick opening clamped cover for ease in basket removal. The Style GFV-K has an o-ring that is compressed between the body and cover for a positive shut off and to maximize durability. Keckley Style GFV-K strainers are furnished standard with a tapped and plugged NPT drain connection.

BASKETS

Standard baskets are 304 stainless steel and are spot welded for maximum strength. Different size perforations and meshes are available in stainless steel, monel, and brass to meet specific media requirements.

CLEANING

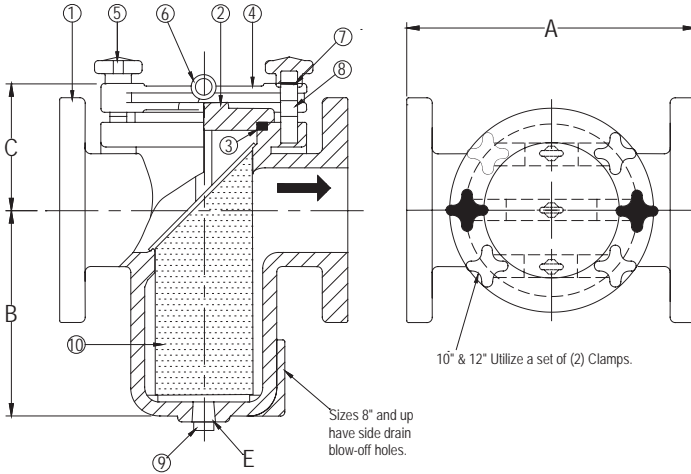
Cleaning of the Style GFV-K strainer is accomplished by removing the cover and pulling out the basket. **Warning:** See Maintenance Instructions on page S6 of the Strainer Information Section for additional precautions and detailed information on servicing the strainer.

WORKING PRESSURES - NON SHOCK

NOM. RATING	MEDIA	2" to 12"	50 mm to 300 mm
125# (Flanged)	W.O.G.	200 PSI @ 100°F	1379 KPa @ 38°C

Style GFV-K

Basket Strainer, 125 lb. Flanged
Cast Iron (ASTM A 126, Class B)



PARTS LIST		
ITEM	DESCRIPTION	MATERIAL
1	Body	Cast Iron (ASTM A 126, Class B)
2	Cover	Cast Ductile Iron (ASTM A 536, Grade 65-45-12)
3	O-ring	Nitrile
4	Clamp	Cast Ductile Iron (ASTM A 536, Grade 65-45-12)
5	Hand Nut	Cast Ductile Iron (ASTM A 536, Grade 65-45-12)
6	Eye Bolt	Carbon Steel (ASTM A 307)
7	Bushing	Stainless Steel (304)
8	Full Bolt	Carbon Steel (ASTM A 307)
9	Pipe Plug	Malleable Iron
10	Basket	Stainless Steel (304)

STANDARD SCREENS SUPPLIED

SIZE		SCREEN GAGE	SCREEN PERFORATION		
in	mm		FOR LIQUID		OPEN AREA
			in	mm	
2 to 4	50 to 100	28	1/16	1.6	30%
5 to 12	125 to 300	24	1/8	3.2	43%

Options: Other meshes, perforations, and screen materials are available.

SIZE		DIMENSIONS								WEIGHTS	
		A		B		C		E			
in	mm	in	mm	in	mm	in	mm	in	mm	lbs	kgs
2	50	8	203.2	4-7/8	123	3-3/4	95	3/4	20	27	12
2-1/2	65	8-1/4	209.6	5-13/16	147	3-13/16	97	3/4	20	38	17
3	80	9-3/4	247.7	7-1/8	181	4-3/4	120	3/4	20	49	22
4	100	11-1/2	292.1	8	203	5-3/8	137	1	25	63	28.5
5	125	13-1/8	333.4	8-1/2	216	6-3/4	171	1	25	95	43
6	150	14-3/4	374.7	9-3/8	238	6-15/16	177	1	25	127	57.6
8	200	18-1/2	740	11-1/2	291	9-1/4	235	1-1/2	40	230	104.4
10	250	20-1/8	511.2	13-9/16	344	11	280	1-1/2	40	408	185
12	300	26-1/4	666.8	16-3/16	411	13-3/8	340	2	50	536	243

Certified dimensional drawings are available upon request.

[†]This table reflects only the nearest metric equivalents.

FLOW COEFFICIENTS

Size	C _v	Size	C _v	Size	C _v
2"	42.7	4"	276.7	8"	1486.3
2-1/2"	77.5	5"	442.7	10"	3051.6
3"	120.2	6"	743.1	12"	4980.6

TOTAL SCREEN AREA

Size	(in ²)	Size	(in ²)	Size	(in ²)
2"	23.63	4"	108.51	8"	310.23
2-1/2"	45.23	5"	142.25	10"	456.43
3"	78.11	6"	176.94	12"	690.83

*See DETERMINING RATIOS on page S5 of the Strainer Information Section for calculating NET FREE AREA of the screen to inside pipe area.

Style KF-7

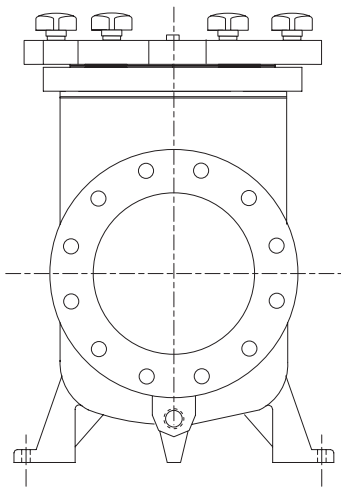
Basket Strainer

Ductile Iron (ASTM A 536, Grade 65-45-12)

150 lb. Flanged



Sizes 1½" to 8"



Sizes 10" to 12"

Cast Ductile Iron Basket Strainer

APPLICATIONS

Water, oil or gas where protection from foreign matter in a pipeline is required.

CONSTRUCTION

The Keckley Style KF-7 strainers are constructed from rugged cast ductile iron castings and are machined to exacting specifications. These bodies have drilled flanges that are in accordance with ASME B16.42.

FEATURES

The Keckley Style KF-7 strainers feature a machined basket seat to minimize particle bypass. All sizes have knob type fasteners securing the cover flange for tool free ease in basket removal. The Keckley Style KF-7 features a Buna-N o-ring that is compressed between the body and cover for maximum strength and durability and is limited to 150°F. All Keckley Style KF-7 strainers are furnished standard with a tapped and plugged NPT connection.

BASKETS

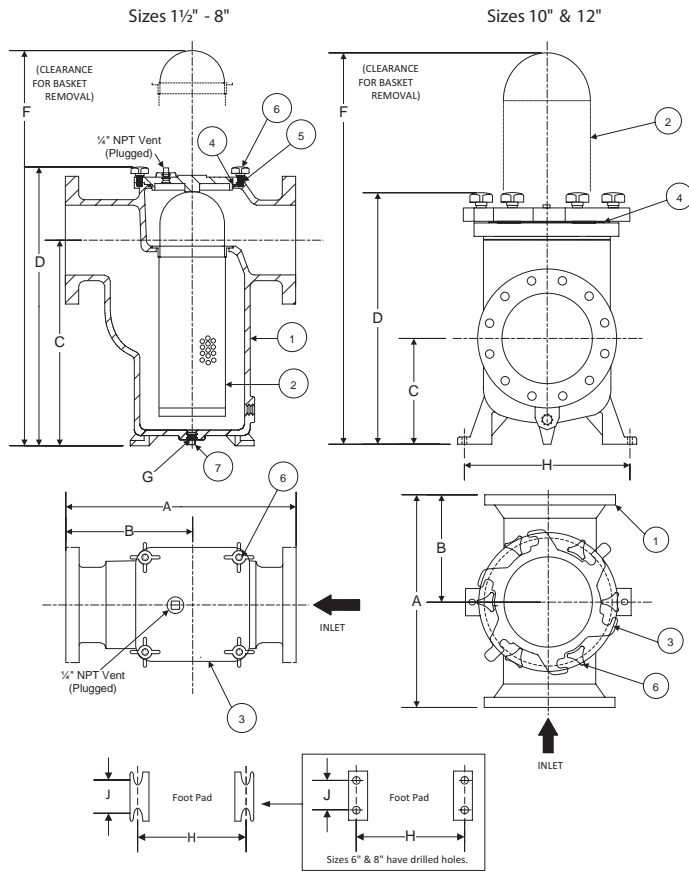
Standard baskets are 304 stainless steel and are spot welded for maximum strength. Different size perforations and meshes are available in stainless steel, monel, and brass to meet specific media requirements.

CLEANING

Cleaning of the Style KF-7 strainer is accomplished by removing the cover and pulling out the basket. **Warning:** See Maintenance Instructions on page S6 of the Strainer Information Section for additional precautions and detailed information on servicing the strainer.

WORKING PRESSURES - NON SHOCK

NOM. RATING	MEDIA	1-1/2" to 12"	40 mm to 300 mm
150# F.F. & D. (STANDARD FLANGE)	W.O.G.	200 PSI @ 100°F	1379 KPa @ 38°C



Style KF-7

Basket Strainer, 125 lb. Flanged
Ductile Iron (ASTM A 536, Grade 65-45-12)

PARTS LIST

ITEM	DESCRIPTION	MATERIAL
1	Body	Ductile Iron (ASTM A 536, Grade 65-45-12)
2	Basket	Stainless Steel (304)
3	Cover	Ductile Iron (ASTM A 536, Grade 65-45-12)
4	O-ring	Buna-N (Max Temperature 150°F)
5	Stud	Carbon Steel (ASTM A 193, Grade B7)
6	Knob	Steel
7	Body Plug	Cast Iron

*Denotes Spare Parts.
†Sizes 6" and larger are furnished with round covers.

STANDARD SCREENS SUPPLIED

SIZE		SCREEN GAGE	SCREEN PERFORATION FOR LIQUID		OPEN AREA
in	mm		in	mm	
1-1/2 to 12	40 to 300	28 - 24	1/8	3.2	43%

Options: Other meshes, perforations, and screen materials are available.

Pipe Size		DIMENSION													
		A		B		C		D		F		G		H	
in	mm	in	mm	in	mm	in	mm	in	mm	in	mm	in	mm	in	mm
1-1/2	40	10.25	260	5.63	143	7.00	178	11.00	279	16	406	1/4	8	5.5	140
2	50	10.50	267	5.75	146	6.63	168	10.25	260	20	508	1/2	15	5.5	140
2-1/2	65	11.63	295	6.63	168	7.88	200	11.88	302	23	584	3/8	10	6.5	165
3	80	13.13	334	7.25	184	9.25	235	13.75	349	27	686	3/8	10	7.0	178
4	100	16.75	426	9.38	238	9.00	229	14.75	375	29	737	1/2	15	10.00	254
6	150	19.63	499	10.81	275	15.75	400	24.00	610	46	1168	1/2	15	10.00	254
8	200	27	686	16.00	406	27.00	686	36.187	919	61	1549	1/2	15	15.75	400
10	250	23	584	11.00	279	12.19	310	25.00	635	47	1194	--	--	19.00	483
12	300	27.25	692	13.13	334	16.75	426	31.00	787	67	1702	--	--	23.00	584

Pipe Size		DIMENSION						WEIGHT	
		J		Flow Coefficients (C _v)	Total Screen Area (in ²)	O-Ring Type	Number of Knobs		
in	mm	in	mm					lbs	kgs
1-1/2	40	2.50	64	46	37.78	Buna-N	4	28	12.47
2	50	2.50	64	73	60.78	Buna-N	4	39	17.63
2-1/2	65	2.88	73	125	78.53	Buna-N	4	45	20.30
3	80	3.13	80	180	115.33	Buna-N	4	73	33.11
4	100	3.88	99	350	172.18	Buna-N	4	129	58.48
6	150	5.10	127	900	352.50	Buna-N	6	237	107.50
8	200	8.50	216	1400	1091.48	Buna-N	8	488	221.02
10**	250	--	--	2300	486.30	Buna-N	6	379	171.57
12**	300	--	--	3200	580.27	Buna-N	6	579	262.30

**Mounting Hole Ø is 1" Nominal, 1" Thick.

Style BGFV

Basket Strainer

Cast Bronze (ASTM B 62, C83600)

150 lb. & 300 lb. Flanged



Cast Bronze Basket Strainer

APPLICATIONS

Steam, water, oil or gas where protection from foreign matter in a pipeline is required.

CONSTRUCTION

The Keckley Style BGFV strainers are constructed from rugged bronze castings that are machined to exacting specifications. These bodies have drilled flanges that are in accordance with ASME B16.24. All flanges come standard with back-faced bolt holes.

FEATURES

The Keckley Style BGFV strainers feature a basket with an angular cutaway design to allow straight through flow and extremely low pressure loss. All sizes have a bolted top cover flange for ease in basket removal. The gasket is spiral wound stainless steel and is compressed between the body and cover (for maximum strength and durability) and designed for high pressure and high temperature service. Keckley Style BGFV strainers have hex head cap screws and are furnished standard with a tapped and plugged NPT drain connection.

BASKETS

Standard baskets are 304 stainless steel and are spot welded for maximum strength. Different size perforations and meshes are available in stainless steel, monel, and brass to meet specific media requirements. If media is not indicated, screens for *water* will be supplied.

CLEANING

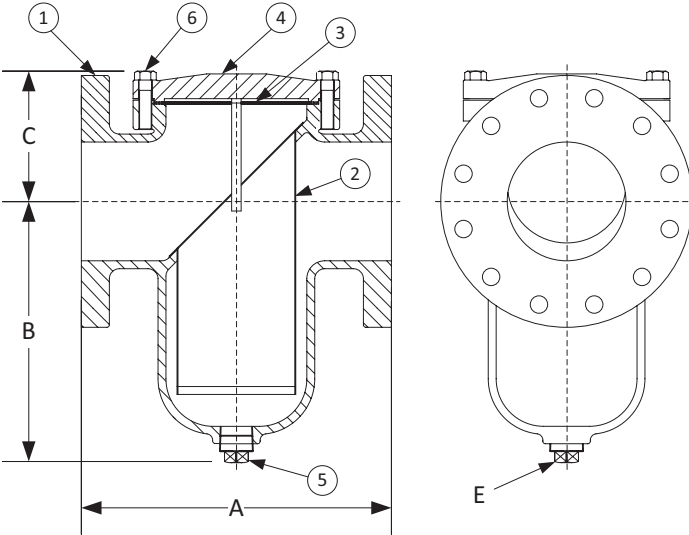
Cleaning of the Style BGFV strainer is accomplished by removing the cover and pulling out the basket. **Warning:** See Maintenance Instructions on page S6 of the Strainer Information Section for additional precautions and detailed information on servicing the strainer.

WORKING PRESSURES - NON SHOCK

NOM. RATING	MEDIA	1-1/2" to 12"	40 mm to 300 mm
150# F.F. & D (STANDARD FLANGE)	STEAM	150 PSI @ 406°F	1035 KPa @ 208°C
	W.O.G.	225 PSI @ 150°F	1552 KPa @ 66°C
NOM. RATING	MEDIA	1-1/2" to 12"	40 mm to 300 mm
300# F.F. & D (EX. HEAVY FLANGE)	STEAM	300 PSI @ 406°F	2069 KPa @ 208°C
	W.O.G.	500 PSI @ 150°F	3449 KPa @ 66°C

Style BGFV

Basket Strainer, 150 lb. & 300 lb. Flanged
Cast Bronze (ASTM B 62, C83600)



PARTS LIST

ITEM	DESCRIPTION	MATERIAL
1	Body	Cast Bronze (ASTM B 62, C83600)
2	Basket	Stainless Steel (304)
3	Gasket	Spiral Wound Stainless Steel (304)
4	Cover	Cast Bronze (ASTM B 62, C83600)
5	Pipe Plug	Stainless Steel (316)
6	Hex Head Cap Screws	Stainless Steel (316)

STANDARD SCREENS SUPPLIED

SIZE		SCREEN GAGE	SCREEN PERFORMANCE					
			FOR STEAM		OPEN AREA	FOR LIQ-UID		OPEN AREA
in	mm	in	mm	in		mm	in	
1-1/2 to 3	40 to 80	22	3/64	1.2	33%	1/16	1.6	30%

Standard screens supplied are for **liquid service**, unless otherwise specified.
Options: Other meshes, perforations, and screen materials are available.

SIZE		DIMENSIONS															
		A				B				C				E			
		150#		300#		150#		300#		150#		300#		150#		300#	
in	mm	in	mm	in	mm	in	mm	in	mm	in	mm	in	mm	in	mm	in	mm
1-1/2	40	6-1/2	165	7	178	1-1/2	38	4	102	4	102	3-3/4	95	1/2	15	1/2	15
2	50	8-1/2	216	8-13/16	224	5-7/8	149	4-3/4	121	4-3/4	121	3-3/4	95	1/2	15	1	25
2-1/2	65	8	203	9	229	5-7/16	138	5-5/8	143	4-1/4	108	4-5/8	117	3/4	20	1	25
3	80	8-3/4	222	10-1/16	256	5-11/16	144	5-11/16	144	5-5/8	143	5-5/8	143	3/4	20	3/4	20
4	100	11-3/16	284	12	305	8-1/4	210	8-1/4	210	6-1/16	154	6-1/16	154	1	25	1	25
5	125	12-1/4	311	13-1/8	333	10-1/4	260	10-1/4	260	5-5/8	143	5-5/8	143	1	25	1	25
6	150	13-7/8	352	15-9/16	395	12-13/64	310	12-13/64	310	6-5/16	149	6-5/16	160	1-1/4	32	1-1/4	32
8	200	17-3/8	441	18-7/8	479	15-9/16	395	15-9/16	395	8-3/16	208	8-3/16	208	1-1/2	40	1-1/4	40
10	250	22	559	21-5/16	541	16	406	14-3/8	365	10-3/8	264	9-7/8	251	1-1/2	40	2	50
12	300	25	635	25-3/8	645	23-3/4	603	23-3/4	603	12-3/8	314	12-3/8	314	2	50	2	50

Consult factory for sizes not shown.

Certified dimensional drawings are available upon request.

*This table reflects only the nearest metric equivalents.

Size		WEIGHTS									
		2"	3"	4"	5"	6"	8"	10"	12"		
150	lbs	22	31	34	42	68	115	115	245	399	450
	kgs	10	14	15	19	31	52	52	111	181	204
300	lbs	24	32	42	56	88	126	150	295	420	500
	kgs	11	15	19	25	40	57	68	134	191	227

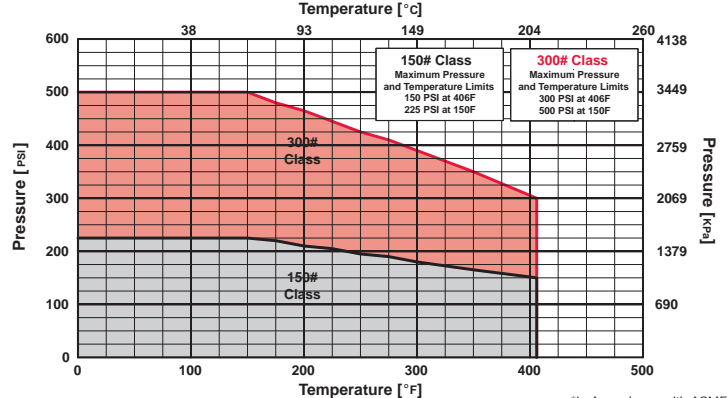
FLOW COEFFICIENTS					
Size	C _v	Size	C _v	Size	C _v
1-1/2"	32	3"	120.2	6"	743.1
2"	42.7	4"	276.7	8"	1486.3
2-1/2"	84	5"	442.7	10"	3051.6

TOTAL SCREEN AREA					
Size	(in ²)	Size	(in ²)	Size	(in ²)
1-1/2"	20.10	3"	54.53	6"	215.65
2"	53.42	4"	117.94	8"	401.76
2-1/2"	45.72	5"	129.00	10"	591.73

*See DETERMINING RATIOS on page S5 of the Strainer Information Section for calculating NET FREE AREA of the screen to inside pipe area.

PRESSURE vs. TEMPERATURE CHART

150# & 300# Flanged Cast Bronze (ASTM B 62, C83600)



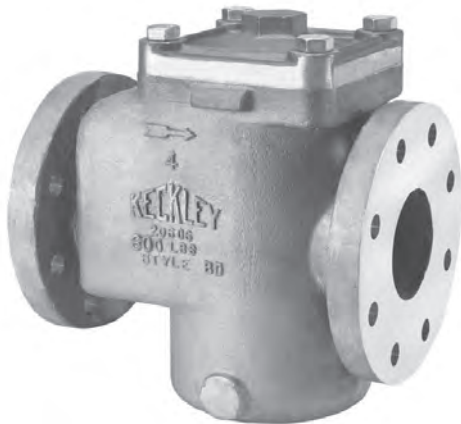
*In Accordance with ASME B16.24

Style BD & BDV

Basket Strainer

Cast Bronze (ASTM B 62, C83600)

150 lb. & 300 lb. Flanged



Cast Bronze Basket Strainer

APPLICATIONS

Steam, water, oil or gas where protection from foreign matter in a pipeline is required.

CONSTRUCTION

The Keckley Style BD & BDV strainers are constructed from rugged cast bronze castings that are machined to exacting specifications. These bodies have drilled flanges that are in accordance with ASME B16.24.

FEATURES

The Keckley Style BD & BDV strainers feature a machined basket seat to minimize particle bypass. All sizes have a bolted top cover flange for ease in basket removal. The gasket is a synthetic fiber gasket is compressed between the body and cover for maximum strength and durability. All Keckley Style BD & BDV strainers are furnished standard with a tapped and plugged NPT drain connection.

BASKETS

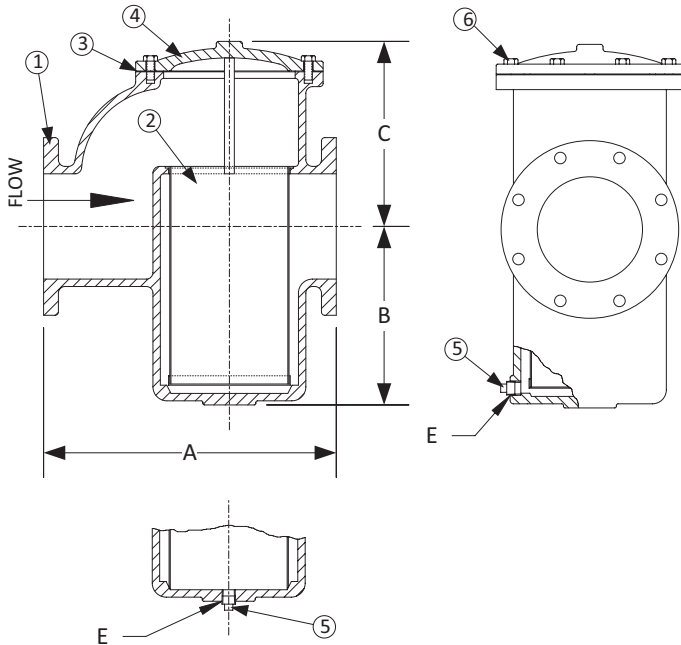
Standard baskets are 304 stainless steel and are spot welded for maximum strength. Different size perforations and meshes are available in stainless steel, monel, and brass to meet specific media requirements. If media is not indicated, screens for *water* will be supplied.

CLEANING

Cleaning of the Style BD strainer is accomplished by removing the cover and pulling out the basket. The Style BDV basket has an open bottom and is cleaned by blowing trapped material out through the blow-off connection similar to a “Y” type strainer. **Warning:** See Maintenance Instructions on page S6 of the Strainer Information Section for additional precautions and detailed information on servicing the strainer.

WORKING PRESSURES - NON SHOCK

NOM. RATING	MEDIA	2" to 12"	50 mm to 300 mm
150# F.F. & D (STANDARD FLANGE)	STEAM	150 PSI @ 406°F	1035 KPa @ 208°C
	W.O.G.	225 PSI @ 150°F	1552 KPa @ 66°C
NOM. RATING	MEDIA	2" to 12"	50 mm to 300 mm
300# F.F. & D (EX. HEAVY FLANGE)	STEAM	300 PSI @ 406°F	2069 KPa @ 208°C
	W.O.G.	500 PSI @ 150°F	3449 KPa @ 66°C



Style BDV has a bottom blow off with an open bottom basket.

Style BD & BDV

Basket Strainer, 150 lb. & 300 lb. Flanged
Cast Bronze (ASTM B 62, C83600)

PARTS LIST		
ITEM	DESCRIPTION	MATERIAL
1	Body	Cast Bronze (ASTM B 62, C83600)
2	Basket	Stainless Steel (304)
3	Gasket	Composition
4	Cover	Cast Bronze (ASTM B 62, C83600)
5	Pipe Plug	Brass
6	Hex Head Cap Screws	Steel

SIZE		SCREEN GAGE	SCREEN PERFORMANCE					
in	mm		FOR STEAM		OPEN AREA	FOR LIQ-UID		OPEN AREA
			in	mm		in	mm	
2 to 5	50 to 125	28	1/16	1.6	30%	1/8	3.2	43%
6 to 8	150 to 200	24	1/8	3.2	43%	1/8	3.2	43%

Standard screens supplied are for **liquid service**, unless otherwise specified. Options: Other meshes, perforations, and screen materials are available.

SIZE		DIMENSIONS										WEIGHTS			
		A		B		C		E		150#		300#			
		150#	300#	150# & 300#	150# & 300#	150# & 300#	150# & 300#	150#	kgs	150#	kgs				
in	mm	in	mm	in	mm	in	mm	in	mm	in	mm	lbs	kgs	lbs	kgs
2	50	7-3/4	197	8-1/4	210	3-15/16	100	5-1/4	133	1/2	15	27	12	33	15
2-1/2	65	8-3/4	222	9-1/4	235	4	102	6	152	1/2	15	38	17	47	21
3	80	9-3/4	248	10-5/16	262	5	127	7	178	1/2	15	52	24	63	29
4	100	12-3/4	324	13-1/2	343	6-3/4	171	9-1/2	241	1/2	15	135	61	142	64
5	125	16-1/2	419	17-1/4	438	9-7/8	251	12	305	3/4	20	193	88	228	103
6	150	16-5/8	422	17-3/8	441	9-7/8	251	12	305	3/4	20	201	91	243	110
8	200	21-5/8	549	22-1/2	572	13-3/4	349	14	356	3/4	20	397	180	472	214
10	250	25-5/8	651	29-3/4	756	17	432	18	457	3/4	20	791	359	860	390
12	300	29-5/8	752	31-5/8	803	20-5/8	524	21	533	2	50	1305	592	1478	670

Certified dimensional drawings are available upon request.

†This table reflects only the nearest metric equivalents.

FLOW COEFFICIENTS

Size	C _v	Size	C _v	Size	C _v
2"	55.7	4"	208.7	8"	784.3
2-1/2"	88.5	5"	354.2	10"	1208.0
3"	123.3	6"	430.1	12"	1868.9

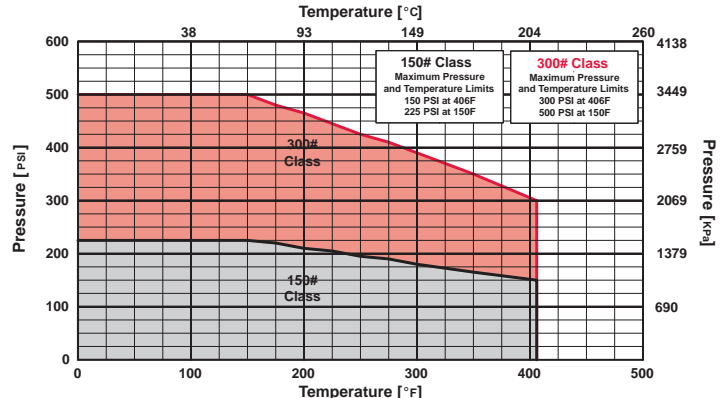
TOTAL SCREEN AREA

Size	(in ²)	Size	(in ²)	Size	(in ²)
2"	39.45	4"	152.58	8"	529.98
2-1/2"	51.66	5"	295.54	10"	808.58
3"	84.84	6"	295.54	12"	1252.0

*See DETERMINING RATIOS on page S5 of the Strainer Information Section for calculating NET FREE AREA of the screen to inside pipe area.

PRESSURE vs. TEMPERATURE CHART

150# & 300# Flanged Cast Bronze (ASTM B 62, C83600)



*In Accordance with ASME B16.24

Style BKF-7

Basket Strainer

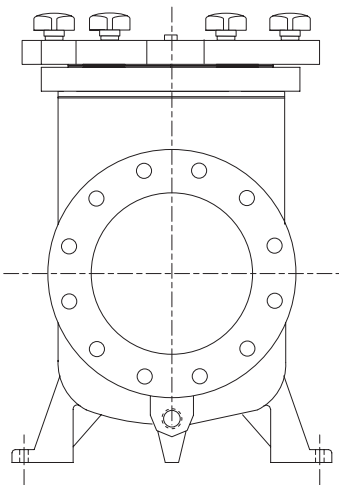
Nickel Aluminum Bronze

(ASTM B 148, C95800)

150 lb. Flanged



Sizes 1½" to 8"



Sizes 10" & 12"

Cast Nickel Aluminum Bronze Basket Strainer

APPLICATIONS

Water, oil or gas where protection from foreign matter in a pipeline is required.

CONSTRUCTION

The Keckley Style BKF-7 strainers are constructed from rugged cast nickel aluminum bronze castings and are machined to exacting specifications. These bodies have drilled flanges that are in accordance with ASME B16.24.

FEATURES

The Keckley Style BKF-7 strainers feature a machined basket seat to minimize particle bypass. All sizes have knob type fasteners securing the cover flange for tool free ease in basket removal. The Keckley Style BKF-7 features a Buna-N o-ring that is compressed between the body and cover for maximum strength and durability and is limited to 150°F. All Keckley Style BKF-7 strainers are furnished standard with a tapped and plugged NPT connection.

BASKETS

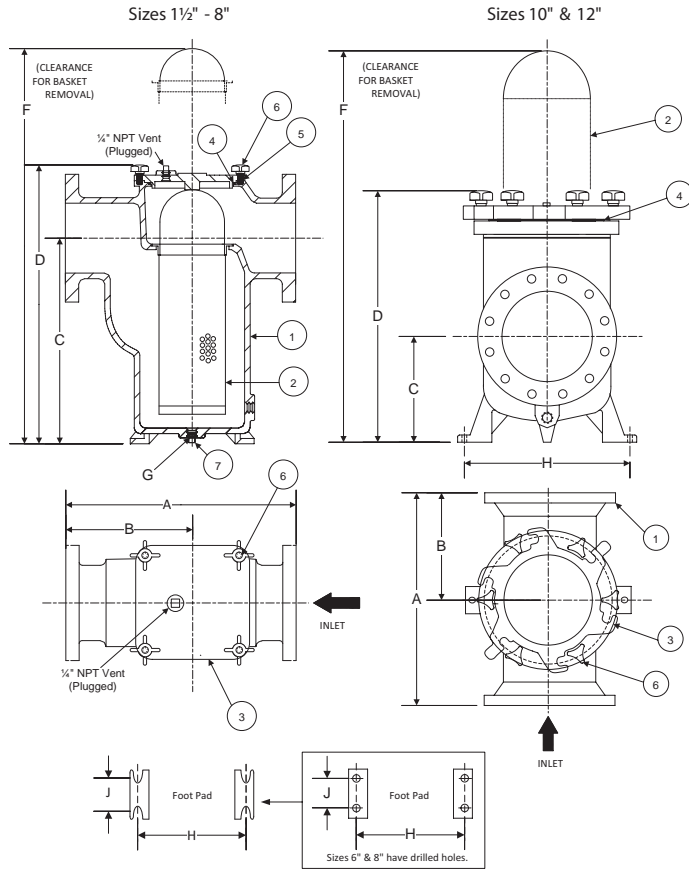
Standard baskets are 304 stainless steel and are spot welded for maximum strength. Different size perforations and meshes are available in stainless steel, monel, and brass to meet specific media requirements.

CLEANING

Cleaning of the Style BKF-7 strainer is accomplished by removing the cover and pulling out the basket. **Warning:** See Maintenance Instructions on page S6 of the Strainer Information Section for additional precautions and detailed information on servicing the strainer.

WORKING PRESSURES - NON SHOCK

NOM. RATING	MEDIA	1-1/2" to 12"	40 mm to 300 mm
150# F.F. & D. (STANDARD FLANGE)	W.O.G.	200 PSI @ 100°F	1379 KPa @ 38°C



Style BKF-7

Basket Strainer, 150 lb. Flanged
Nickel Aluminum Bronze (ASTM B 148, C95800)

PARTS LIST

ITEM	DESCRIPTION	MATERIAL
1	Body	Nickel Aluminum Bronze (ASTM B 148, C95800)
2*	Basket	Stainless Steel (304)
3†	Cover	Nickel Aluminum Bronze (ASTM B 148, C95800)
4	O-ring	Buna-N (Max Temperature 150°F)
5	Stud	Carbon Steel (ASTM A 193, Grade B7)
6	Knob	Stainless Steel
7	Body Plug	Brass

*Denotes Spare Parts.
†Sizes 6" and larger are furnished with round covers.

STANDARD SCREENS SUPPLIED

SIZE		SCREEN GAGE	SCREEN PERFORATION FOR LIQUID		OPEN AREA
in	mm		in	mm	
1-1/2 to 12	40 to 300	28 - 24	1/8	3.2	43%

Options: Other meshes, perforations, and screen materials are available.

Pipe Size		DIMENSION													
		A		B		C		D		F		G		H	
in	mm	in	mm	in	mm	in	mm	in	mm	in	mm	in	mm	in	mm
1-1/2	40	10.25	260	5.63	143	7.00	178	11.00	279	16	406	1/4	8	5.5	140
2	50	10.50	267	5.75	146	6.63	168	10.25	260	20	508	1/2	15	5.5	140
2-1/2	65	11.63	295	6.63	168	7.88	200	11.88	302	23	584	3/8	10	6.5	165
3	80	13.13	334	7.25	184	9.25	235	13.75	349	27	686	3/8	10	7.0	178
4	100	16.75	426	9.38	238	9.00	229	14.75	375	29	737	1/2	15	10.00	254
6	150	19.63	499	10.81	275	15.75	400	24.00	610	46	1168	1/2	15	10.00	254
8	200	27	686	16.00	406	27.00	686	36.187	919	61	1549	1/2	15	15.75	400
10	250	23	584	11.00	279	12.19	310	25.00	635	47	1194	--	--	19.00	483
12	300	27.25	692	13.13	334	16.75	426	31.00	787	67	1702	--	--	23.00	584

Pipe Size		DIMENSION						WEIGHT	
		J		Flow Coefficients (C _v)	Total Screen Area (in ²)	O-Ring Type	Number of Knobs		
in	mm	in	mm						
1-1/2	40	2.50	64	46	37.78	Buna-N	4	28	12.47
2	50	2.50	64	73	60.78	Buna-N	4	39	17.63
2-1/2	65	2.88	73	125	78.53	Buna-N	4	45	20.30
3	80	3.13	80	180	115.33	Buna-N	4	73	33.11
4	100	3.88	99	350	172.18	Buna-N	4	129	58.48
6	150	5.10	127	900	352.50	Buna-N	6	237	107.50
8	200	8.50	216	1400	1091.48	Buna-N	8	488	221.02
10**	250	--	--	2300	486.30	Buna-N	6	379	171.57
12**	300	--	--	3200	580.27	Buna-N	6	579	262.30

**Mounting Hole Ø is 1" Nominal, 1" Thick.

Style SD

Basket Strainer

Carbon Steel (ASTM A 216, Grade WCB)

300 lb. Threaded



Style SD-K

Basket Strainer

Carbon Steel (ASTM A 216, Grade WCB)

150 lb. Threaded



Cast Carbon Steel Basket Strainer

APPLICATIONS

Steam, water, oil or gas where protection from foreign matter in a pipeline is required.

CONSTRUCTION

The Keckley Style SD and SD-K strainers are constructed from rugged carbon steel castings that are machined to exacting specifications.

FEATURES

The Keckley Style SD and SD-K strainers feature a machined basket seat to minimize particle bypass. The Style SD has a spiral wound 304 stainless steel gasket and is compressed between the body and cover (for maximum strength and durability) and designed for high pressure and high temperature service. The Style SD-K is furnished with a Buna-N o-ring and is limited to 150°F. Keckley threaded Style SD strainers have carbon steel hex head cap screws. All units are furnished standard with a tapped and plugged NPT drain connection.

BASKETS

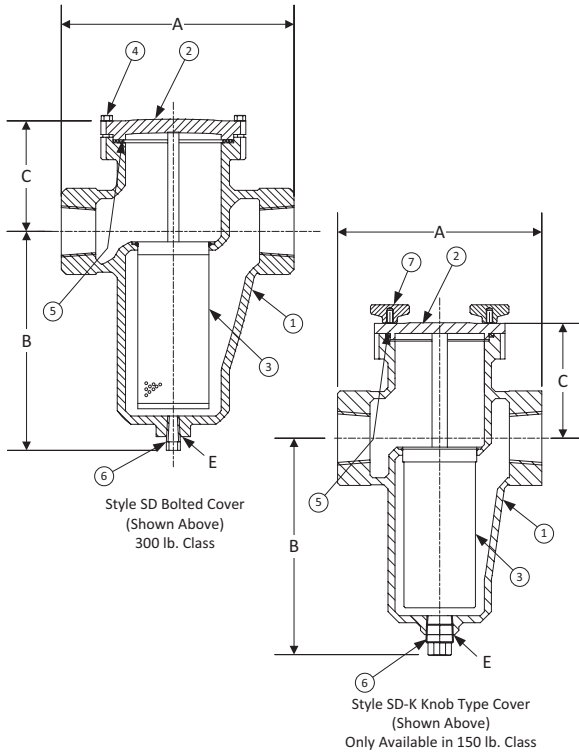
Standard baskets are 304 stainless steel and are spot welded for maximum strength. Different size perforations and meshes are available in stainless steel, monel, and brass to meet specific media requirements. If media is not indicated, screens for *water* will be supplied.

CLEANING

Cleaning of the Style SD and SD-K strainers are accomplished by removing the cover and pulling out the basket. **Warning:** See Maintenance Instructions on page S6 of the Strainer Information Section for additional precautions and detailed information on servicing the strainer.

WORKING PRESSURES - NON SHOCK

NOM. RATING		MEDIA	3/8" to 3"	10 mm to 80 mm
300# (THREADED)	BOLTED COVER	STEAM	300 PSI @ 838°F	2069 KPa @ 448°C
		W.O.G.	740 PSI @ 100°F	5104 KPa @ 66°C
NOM. RATING		MEDIA	3/8" to 3"	10 mm to 80 mm
150# (THREADED)	KNOB TYPE COVER	W.O.G.	200 PSI @ 150°F	1379 KPa @ 66°C



Style SD & SD-K

Basket Strainer, Threaded
Carbon Steel (ASTM A 216, Grade WCB)

PARTS LIST		
ITEM	DESCRIPTION	MATERIAL
1 [†]	Body	Carbon Steel (ASTM A 216, Grade WCB)
2	Cover	Carbon Steel (ASTM A 216, Grade WCB)
3	Basket	Stainless Steel (304)
4	Hex Head Cap Screw	Carbon Steel (ASTM A 193, Grade B7)
5	Gasket	Spiral Wound Stainless Steel (304)
6	Plug	Carbon Steel (ASTM A 105)
7*	Knob	Carbon Steel (ASTM A 216, Grade WCB)
8*	O-ring	Buna-N (Max Temperature 150°F)

[†]Denotes parts for the Style SD-K 150 lb. class only.
[†]Optional Body Materials Available in LCB, WC6, and WC9.

SIZE		SCREEN GAGE	SCREEN PERFORMATION					
			FOR STEAM		OPEN AREA	FOR LIQ-UID		
in	mm		in	mm		in	mm	OPEN AREA
3/8 to 2	10 to 50	28	1/32	0.8	29%	1/16	1.6	30%

Standard screens supplied are for **liquid service**, unless otherwise specified.
Options: Other meshes, perforations, and screen materials are available.

SIZE		DIMENSIONS								WEIGHTS	
		A		B		C		E			
in	mm	in	mm	in	mm	in	mm	in	mm	lbs	kgs
3/8	10	4-9/16	116	4	102	3-1/8	79	3/8	10	7	2.78
1/2	15	4-9/16	116	4	102	3-1/8	79	3/8	10	7	2.78
3/4	20	4-9/16	116	4	102	3-1/8	79	3/8	10	7	2.78
1	25	5-5/16	135	4-7/8	124	3	76	3/8	10	8	3.58
1-1/4	32	6-5/16	160	6-1/2	165	4-1/8	105	1/2	15	14	6.30
1-1/2	40	6-5/16	160	6-1/2	165	4-1/8	105	1/2	15	14	6.30
2	50	8-1/4	210	7-7/8	200	4-3/4	121	3/4	20	25	11.30
2-1/2	65	9-5/8	245	8-3/4	222	4	102	1	25	48	21.75
3	80	11-1/4	286	11-3/8	289	5-7/8	149	1	25	48	21.75

Certified dimensional drawings are available upon request.
[†]This table reflects only the nearest metric equivalents.

FLOW COEFFICIENTS

Size	C _v	Size	C _v	Size	C _v
3/8"	19.9	1"	19.9	2"	55.7
1/2"	19.9	1-1/4"	35.4	2-1/2"	88.5
3/4"	19.9	1-1/2"	35.4	3"	123.3

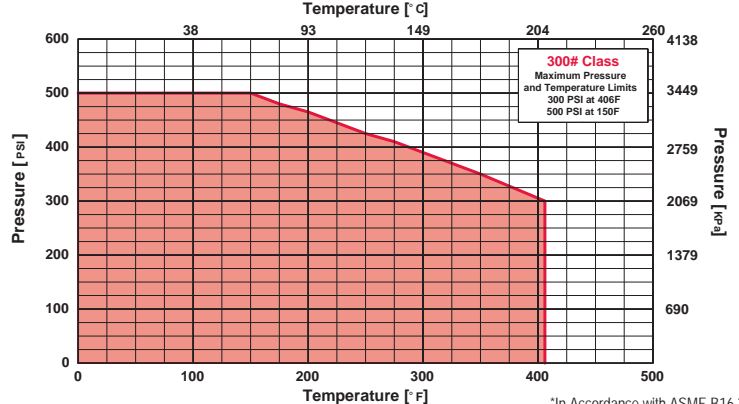
TOTAL SCREEN AREA

Size	(in ²)	Size	(in ²)	Size	(in ²)
3/8"	11.72	1"	19.17	2"	64.36
1/2"	11.72	1-1/4"	41.65	2-1/2"	67.60
3/4"	11.72	1-1/2"	41.65	3"	128.17

*See DETERMINING RATIOS on page S5 of the Strainer Information Section for calculating NET FREE AREA of the screen to inside pipe area.

PRESSURE vs. TEMPERATURE CHART

300# Threaded Carbon Steel (ASTM A 216, Grade WCB)
For use with Bolted Cover Only



Style SGFV

Basket Strainer

Carbon Steel (ASTM A 216, Grade WCB)

150 lb. & 300 lb. Flanged



Style SGFV-K

Basket Strainer

Carbon Steel (ASTM A 216, Grade WCB)

150 lb. Flanged



Cast Carbon Steel Basket Strainer

APPLICATIONS

Steam, water, oil or gas where protection from foreign matter in a pipeline is required.

CONSTRUCTION

The Keckley Style SGFV and SGFV-K strainers are constructed from rugged carbon steel castings and are machined to exacting specifications. These bodies have raised faced and drilled flanges that are in accordance with ASME B16.5. All flanges come standard with back-faced bolt holes.

FEATURES

The Keckley Style SGFV and SGFV-K strainers feature a basket with an angular cutaway design to allow straight through flow and extremely low pressure loss. The Style SGFV has a bolted top cover flange for ease in basket removal. The Style SGFV-K is furnished with studs and knobs for easy cleaning. The Style SGFV gasket is spiral wound 304 stainless steel and is compressed between the body and cover (for maximum strength and durability) and designed for high pressure and high temperature service. The Style SGFV-K is furnished with a Buna-N gasket suitable for temperatures up to 200°F. Keckley Style SGFV strainers have carbon steel hex head cap crews and are furnished standard with a tapped and plugged NPT drain connection.

BASKETS

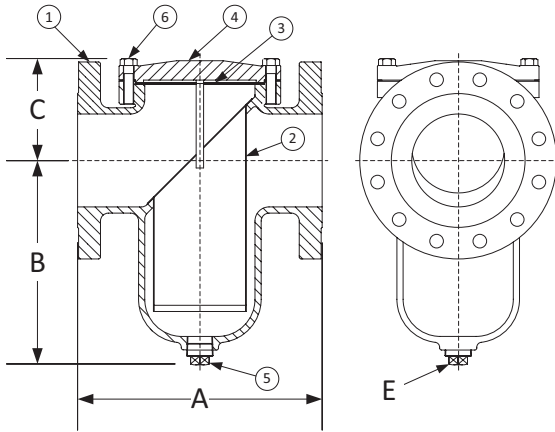
Standard baskets are 304 stainless steel and are spot welded for maximum strength. Different size perforations and meshes are available in stainless steel, monel, and brass to meet specific media requirements. If media is not indicated, screens for *water* will be supplied.

CLEANING

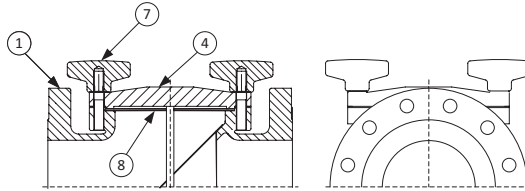
Cleaning of the Style SGFV and SGFV-K strainers are accomplished by removing the cover and pulling out the basket. **Warning:** See Maintenance Instructions on page S6 of the Strainer Information Section for additional precautions and detailed information on servicing the strainer.

WORKING PRESSURES - NON SHOCK

NOM. RATING		MEDIA	2" to 12"	50 mm to 300 mm
150# R.F. & D. (STANDARD FLANGE)	BOLTED COVER	STEAM	150 PSI @ 838°F	1035 KPa @ 296°C
	KNOB TYPE COVER	W.O.G.	285 PSI @ 100°F	1966 KPa @ 38°C
		W.O.G.	200 PSI @ 200°F	1379 KPa @ 93°C
NOM. RATING		MEDIA	2" to 12"	50 mm to 300 mm
300# R.F. & D. (EX. HEAVY FLANGE)	BOLTED COVER	STEAM	300 PSI @ 838°F	2069 KPa @ 448°C
		W.O.G.	740 PSI @ 100°F	5104 KPa @ 38°C



Style SGFV Bolted Cover (Shown Above)
Available in 150 lb. and 300 lb. Class



Style SGFV-K Knob Type Cover (Shown Above)
Only Available in 150 lb. Class

Style SGFV & SGFV-K

Basket Strainer, Flanged
Carbon Steel (ASTM A 216, Grade WCB)

PARTS LIST		
ITEM	DESCRIPTION	MATERIAL
1†	Body	Carbon Steel (ASTM A 216, Grade WCB)
2	Basket	Stainless Steel (304)
3	Gasket	Spiral Wound Stainless Steel (304)
4	Cover	Carbon Steel (ASTM A 216, Grade WCB)
5	Pipe Plug	Carbon Steel (ASTM A 105)
6	Hex Head Cap Screw	Carbon Steel (ASTM A 193, Grade B7)
7*	Knob	Steel
8*	Gasket	Buna-N (Max Temperature 200°F)

†Denotes parts for the Style SGFV-K 150 lb. class only.

*Optional Body Materials Available in LCB, WC6, and WC9.

SIZE		SCREEN GAGE	SCREEN PERFORMANCE					
			FOR STEAM		OPEN AREA	FOR LIQ-UID		
in	mm		in	mm		in	mm	OPEN AREA
1-1/2 to 3	40 to 80	22	3/64	1.2	33%	1/16	1.6	30%

Standard screens supplied are for **liquid service**, unless otherwise specified.
Options: Other meshes, perforations, and screen materials are available.

SIZE		DIMENSIONS															
		A				B				C				E			
		150#		300#		150#		300#		150#		300#		150#		300#	
in	mm	in	mm	in	mm	in	mm	in	mm	in	mm	in	mm	in	mm	in	mm
1-1/2	40	6-1/2	165	7	178	4-1/2	114	4	102	4	102	3-3/4	95	1/2	15	1/2	15
2	50	8-1/2	216	8-13/16	224	5-7/8	149	4-3/4	121	4-3/4	121	3-3/4	95	1/2	15	1	25
2-1/2	65	8	203	9	229	5-7/16	138	5-5/8	143	4-1/4	108	4-5/8	117	3/4	20	1	25
3	80	8-3/4	222	10-1/16	256	5-11/16	144	5-11/16	144	5-5/8	143	5-5/8	143	3/4	20	3/4	20
4	100	11-3/16	284	12	305	8-1/4	210	8-1/4	210	6-1/16	154	6-1/16	154	1	25	1	25
5	125	12-1/4	311	13-1/8	333	10-1/4	260	10-1/4	260	5-5/8	143	5-5/8	143	1	25	1	25
6	150	13-7/8	352	15-9/16	395	12-13/64	310	12-13/64	310	6-5/16	149	6-5/16	160	1-1/4	32	1-1/4	32
8	200	17-3/8	441	18-7/8	479	15-9/16	395	15-9/16	395	8-3/16	208	8-3/16	208	1-1/2	40	1-1/4	40
10	250	22	559	21-5/16	541	16	406	14-3/8	365	10-3/8	264	9-7/8	251	1-1/2	40	2	50
12	300	25	635	25-3/8	645	23-3/4	603	23-3/4	603	12-3/8	314	12-3/8	314	2	50	2	50
14	350	34-5/16	871	34-5/16	871	28	711	34-3/8	873	16-1/2	419	20-3/16	513	2	50	2	50

Certified dimensional drawings are available upon request.

†This table reflects only the nearest metric equivalents.

Size		WEIGHTS										
		2"	3"	4"	5"	6"	8"	10"	12"	14"		
150	lbs	21	26	29	39	69	79	116	194	324	717	1275
	kgs	10	12	13	18	31	36	53	88	147	325	578
300	lbs	23	32	40	54	99	195	195	333	530	903	1424
	kgs	10	15	18	24	45	88	88	151	240	410	646

FLOW COEFFICIENTS					
Size	C _v	Size	C _v	Size	C _v
1-1/2"	32	3"	120.2	6"	743.1
2"	42.7	4"	276.7	8"	1486.3
2-1/2"	84	5"	442.7	10"	3051.6

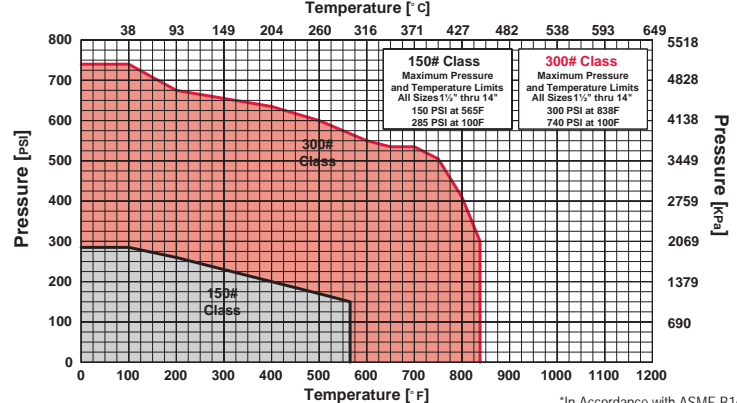
TOTAL SCREEN AREA (150 LB.)					
Size	(in ²)	Size	(in ²)	Size	(in ²)
1-1/2"	20.10	3"	54.53	6"	215.65
2"	53.42	4"	117.94	8"	401.76
2-1/2"	45.72	5"	129.00	10"	591.73

*See DETERMINING RATIOS on page S5 of the Strainer Information Section for calculating NET FREE AREA of the screen to inside pipe area.

PRESSURE vs. TEMPERATURE CHART

150# & 300# Flanged Carbon Steel (ASTM A 216, Grade WCB)

For use with Bolted Cover Only



*In Accordance with ASME B16.5

Style SSD

Basket Strainer

Stainless Steel (ASTM A 351, Grade CF8M)

300 lb. Threaded



Style SSD-K

Basket Strainer

Stainless Steel (ASTM A 351, Grade CF8M)

150 lb. Threaded



Cast 316 Stainless Steel Basket Strainer

APPLICATIONS

Steam, water, oil or gas where protection from foreign matter in a pipeline is required.

CONSTRUCTION

The Keckley Style SSD and SSD-K strainers are constructed from rugged 316 stainless steel castings that are machined to exacting specifications.

FEATURES

The Keckley Style SSD and SSD-K strainers feature a machined basket seat to minimize particle bypass. The Style SSD has a spiral wound 304 stainless steel gasket and is compressed between the body and cover (for maximum strength and durability) and designed for high pressure and high temperature service. The Style SSD-K is furnished with a viton o-ring and is limited to 350°F. Keckley threaded Style SSD strainers have carbon steel hex head cap screws. All units are furnished standard with a tapped and plugged NPT drain connection.

BASKETS

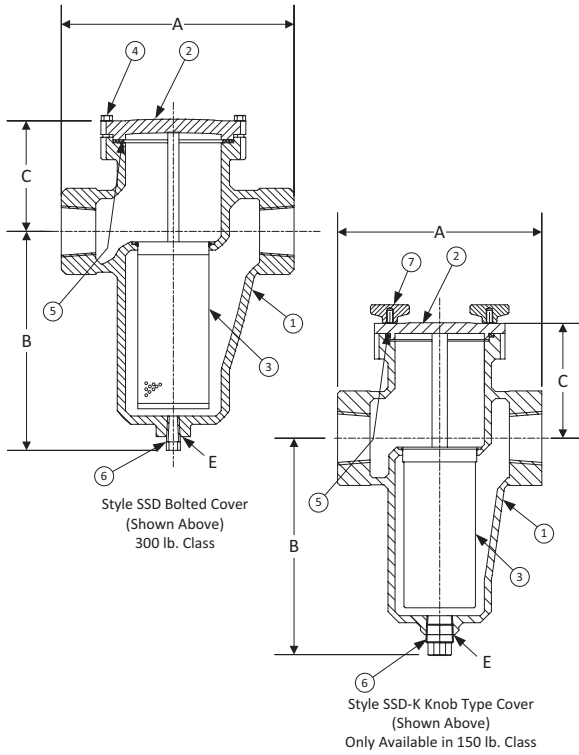
Standard baskets are 304 stainless steel and are spot welded for maximum strength. Different size perforations and meshes are available in stainless steel, monel, and brass to meet specific media requirements. If media is not indicated, screens for *water* will be supplied.

CLEANING

Cleaning of the Style SSD and SSD-K strainers are accomplished by removing the cover and pulling out the basket. **Warning:** See Maintenance Instructions on page S6 of the Strainer Information Section for additional precautions and detailed information on servicing the strainer.

WORKING PRESSURES - NON SHOCK

NOM. RATING		MEDIA	3/8" to 3"	10 mm to 80 mm
300# (THREADED)	BOLTED COVER	STEAM	300 PSI @ 1125°F	2069 KPa @ 607°C
		W.O.G.	720 PSI @ 100°F	4966 KPa @ 38°C
NOM. RATING		MEDIA	3/8" to 3"	10 mm to 80 mm
150# (THREADED)	KNOB TYPE COVER	W.O.G.	200 PSI @ 350°F	1379 KPa @ 177°C



Style SSD & SSD-K

Basket Strainer, Threaded
Stainless Steel (ASTM A 351, Grade CF8M)

PARTS LIST		
ITEM	DESCRIPTION	MATERIAL
1 [†]	Body	Stainless Steel (ASTM A 351, Grade CF8M)
2	Cover	Stainless Steel (ASTM A 351, Grade CF8M)
3	Basket	Stainless Steel (304)
4	Hex Head Cap Screw	Stainless Steel
5	Gasket	Spiral Wound Stainless Steel (304)
6	Plug	Stainless Steel (316)
7*	Knob	Stainless Steel (ASTM A 351, Grade CF8M)
8*	O-ring	Viton (Max Temperature 350°F)

[†]Denotes parts for the Style SSD-K 150 lb. class only.
[†]Optional Body Materials Available in 304 and 400 Series SS, Alloy 20, Hastelloy, Inconel, Monel and Stellite.

STANDARD SCREENS SUPPLIED

SIZE		SCREEN GAGE	SCREEN PERFORATION					
in	mm		FOR STEAM		FOR LIQ-UID			
			in	mm	OPEN AREA	in	mm	OPEN AREA
3/8 to 2	10 to 50	28	1/32	0.8	29%	1/16	1.6	30%

Standard screens supplied are for **liquid service**, unless otherwise specified.
Options: Other meshes, perforations, and screen materials are available.

SIZE		DIMENSIONS								WEIGHTS	
		A		B		C		E			
in	mm	in	mm	in	mm	in	mm	in	mm	lbs	kgs
3/8	10	4-9/16	116	4	102	3-1/8	79	3/8	10	7	2.78
1/2	15	4-9/16	116	4	102	3-1/8	79	3/8	10	7	2.78
3/4	20	4-9/16	116	4	102	3-1/8	79	3/8	10	7	2.78
1	25	5-5/16	135	4-7/8	124	3	76	3/8	10	8	3.58
1-1/4	32	6-5/16	160	6-1/2	165	4-1/8	105	1/2	15	14	6.30
1-1/2	40	6-5/16	160	6-1/2	165	4-1/8	105	1/2	15	14	6.30
2	50	8-1/4	210	7-7/8	200	4-3/4	121	3/4	20	25	11.30
2-1/2	65	9-5/8	245	8-3/4	222	4	102	1	25	48	21.75
3	80	11-1/4	286	11-3/8	289	5-7/8	149	1	25	48	21.75

Certified dimensional drawings are available upon request.
[†]This table reflects only the nearest metric equivalents.

FLOW COEFFICIENTS

Size	C _v	Size	C _v	Size	C _v
3/8"	19.9	1"	19.9	2"	55.7
1/2"	19.9	1-1/4"	35.4	2-1/2"	88.5
3/4"	19.9	1-1/2"	35.4	3"	123.3

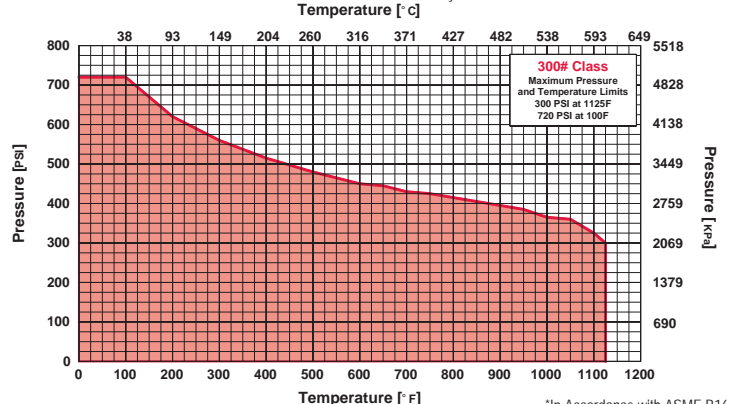
TOTAL SCREEN AREA

Size	(in ²)	Size	(in ²)	Size	(in ²)
3/8"	11.72	1"	19.17	2"	64.36
1/2"	11.72	1-1/4"	41.65	2-1/2"	67.60
3/4"	11.72	1-1/2"	41.65	3"	128.17

*See DETERMINING RATIOS on page S5 of the Strainer Information Section for calculating NET FREE AREA of the screen to inside pipe area.

PRESSURE vs. TEMPERATURE CHART

300# Threaded Stainless Steel (ASTM A 351, Grade CF8M)
For use with Bolted Cover Only



*In Accordance with ASME B16.34

Style SSGFV

Basket Strainer

Stainless Steel (ASTM A 351, Grade CF8M)

150 lb. & 300 lb. Flanged



Style SSGFV-K

Basket Strainer

Stainless Steel (ASTM A 351, Grade CF8M)

150 lb. Flanged



Cast 316 Stainless Steel Basket Strainer

APPLICATIONS

Steam, water, oil or gas where protection from foreign matter in a pipeline is required.

CONSTRUCTION

The Keckley Style SSGFV and SSGFV-K strainers are constructed from rugged 316 stainless steel castings and are machined to exacting specifications. These bodies have raised faced and drilled flanges that are in accordance with ASME B16.5. All flanges come standard with back-faced bolt holes.

FEATURES

The Keckley Style SSGFV and SSGFV-K strainers feature a basket with an angular cutaway design to allow straight through flow and extremely low pressure loss. The Style SSGFV has a bolted top cover flange for ease in basket removal. The Style SSGFV-K is furnished with studs and knobs for easy cleaning. The Style SSGFV gasket is spiral wound 304 stainless steel and is compressed between the body and cover (for maximum strength and durability) and designed for high pressure and high temperature service. The Style SSGFV-K is furnished with a viton gasket suitable for temperatures up to 400°F. Keckley Style SSGFV strainers have carbon steel hex head cap crews and are furnished standard with a tapped and plugged NPT drain connection.

BASKETS

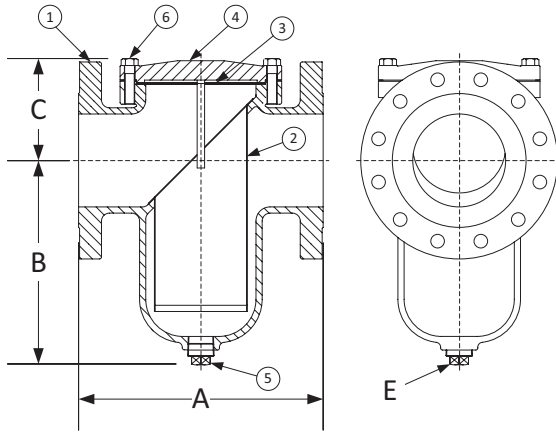
Standard baskets are 304 stainless steel and are spot welded for maximum strength. Different size perforations and meshes are available in stainless steel, monel, and brass to meet specific media requirements. If media is not indicated, screens for *water* will be supplied.

CLEANING

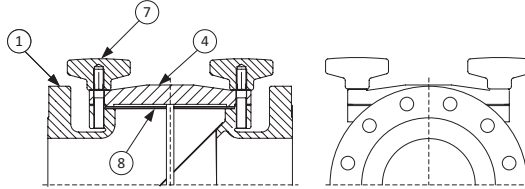
Cleaning of the Style SSGFV and SSGFV-K strainers are accomplished by removing the cover and pulling out the basket. **Warning:** See Maintenance Instructions on page S6 of the Strainer Information Section for additional precautions and detailed information on servicing the strainer.

WORKING PRESSURES - NON SHOCK

NOM. RATING		MEDIA	2" to 12"	50 mm to 300 mm
150# R.F. & D. (STANDARD FLANGE)	BOLTED COVER	STEAM	150 PSI @ 565°F	1035 KPa @ 296°C
	KNOB TYPE COVER	W.O.G.	275 PSI @ 100°F	1897 KPa @ 38°C
300# R.F. & D. (EX. HEAVY FLANGE)		BOLTED COVER	W.O.G.	200 PSI @ 375°F
	NOM. RATING		MEDIA	2" to 12"
300# R.F. & D. (EX. HEAVY FLANGE)	BOLTED COVER	STEAM	300 PSI @ 1125°F	2069 KPa @ 448°C
		W.O.G.	720 PSI @ 100°F	4966 KPa @ 38°C



Style SSGFV Bolted Cover (Shown Above)
Available in 150 lb. and 300 lb. Class



Style SSGFV-K Knob Type Cover (Shown Above)
Only Available in 150 lb. Class

Style SSGFV & SSGFV-K

Basket Strainer, Flanged
Stainless Steel (ASTM A 351, Grade CF8M)

PARTS LIST		
ITEM	DESCRIPTION	MATERIAL
1†	Body	Stainless Steel (ASTM A 351, Grade CF8M)
2	Basket	Stainless Steel (304)
3	Gasket	Spiral Wound Stainless Steel (304)
4	Cover	Stainless Steel (ASTM A 351, Grade CF8M)
5	Pipe Plug	Stainless Steel (316)
6	Hex Head Cap Screw	Stainless Steel (316)
7*	Knob	Stainless Steel
8*	Gasket	Viton (Max Temperature 400°F)

*Denotes parts for the Style SSGFV-K 150 lb. class only.

†Optional Body Materials Available in 304 and 400 Series SS, Alloy 20, Hastelloy, Inconel, Monel and Stellite.

STANDARD SCREENS SUPPLIED

SIZE		SCREEN GAGE	SCREEN PERFORATION					
			FOR STEAM		OPEN AREA	FOR LIQ-UID		
in	mm		in	mm		in	mm	OPEN AREA
1-1/2 to 3	40 to 80	22	3/64	1.2	33%	1/16	1.6	30%

Standard screens supplied are for **liquid service**, unless otherwise specified.
Options: Other meshes, perforations, and screen materials are available.

SIZE		DIMENSIONS															
		A				B				C				E			
		150#		300#		150#		300#		150#		300#		150#		300#	
in	mm	in	mm	in	mm	in	mm	in	mm	in	mm	in	mm	in	mm	in	mm
1-1/2	40	6-1/2	165	7	178	4-1/2	114	4	102	4	102	3-3/4	95	1/2	15	1/2	15
2	50	8-1/2	216	8-13/16	224	5-7/8	149	4-3/4	121	4-3/4	121	3-3/4	95	1/2	15	1	25
2-1/2	65	8	203	9	229	5-7/16	138	5-5/8	143	4-1/4	108	4-5/8	117	3/4	20	1	25
3	80	8-3/4	222	10-1/16	256	5-11/16	144	5-11/16	144	5-5/8	143	5-5/8	143	3/4	20	3/4	20
4	100	11-3/16	284	12	305	8-1/4	210	8-1/4	210	6-1/16	154	6-1/16	154	1	25	1	25
5	125	12-1/4	311	13-1/8	333	10-1/4	260	10-1/4	260	5-5/8	143	5-5/8	143	1	25	1	25
6	150	13-7/8	352	15-9/16	395	12-13/64	310	12-13/64	310	6-5/16	149	6-5/16	160	1-1/4	32	1-1/4	32
8	200	17-3/8	441	18-7/8	479	15-9/16	395	15-9/16	395	8-3/16	208	8-3/16	208	1-1/2	40	1-1/4	40
10	250	22	559	21-5/16	541	16	406	14-3/8	365	10-3/8	264	9-7/8	251	1-1/2	40	2	50
12	300	25	635	25-3/8	645	23-3/4	603	23-3/4	603	12-3/8	314	12-3/8	314	2	50	2	50
14	350	34-5/16	871	34-5/16	871	28	711	34-3/8	873	16-1/2	419	20-3/16	513	2	50	2	50

Certified dimensional drawings are available upon request.

*This table reflects only the nearest metric equivalents.

Size		WEIGHTS										
		2"	3"	4"	5"	6"	8"	10"	12"	14"		
150	lbs	21	26	29	39	69	79	116	194	324	717	1275
	kgs	10	12	13	18	31	36	53	88	147	325	578
300	lbs	23	32	40	54	99	195	195	333	530	903	1424
	kgs	10	15	18	24	45	88	88	151	240	410	646

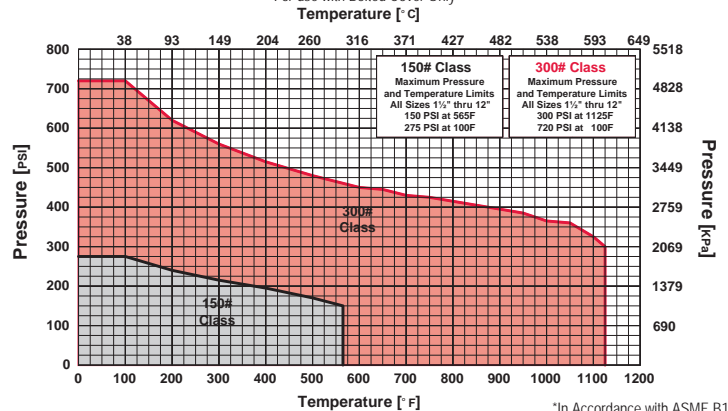
FLOW COEFFICIENTS					
Size	C _v	Size	C _v	Size	C _v
1-1/2"	32	3"	120.2	6"	743.1
2"	42.7	4"	276.7	8"	1486.3
2-1/2"	84	5"	442.7	10"	3051.6

TOTAL SCREEN AREA (150 LB.)					
Size	(in ²)	Size	(in ²)	Size	(in ²)
1-1/2"	20.10	3"	54.53	6"	215.65
2"	53.42	4"	117.94	8"	401.76
2-1/2"	45.72	5"	129.00	10"	591.73

*See DETERMINING RATIOS on page S5 of the Strainer Information Section for calculating NET FREE AREA of the screen to inside pipe area.

PRESSURE vs. TEMPERATURE CHART

150# & 300# Flanged Stainless Steel (ASTM A 351, Grade CF8M)
For use with Bolted Cover Only



*In Accordance with ASME B16.5

PRESSURE DROP CHART

Basket Strainers (Styles D, DV, BD, BDV, SD, SD-K, SSD, AND SSD-K)

This pressure drop chart is based on the flow of clean water through the Keckley strainer styles listed above with screen perforations ranging from 3/64" through 1/8".

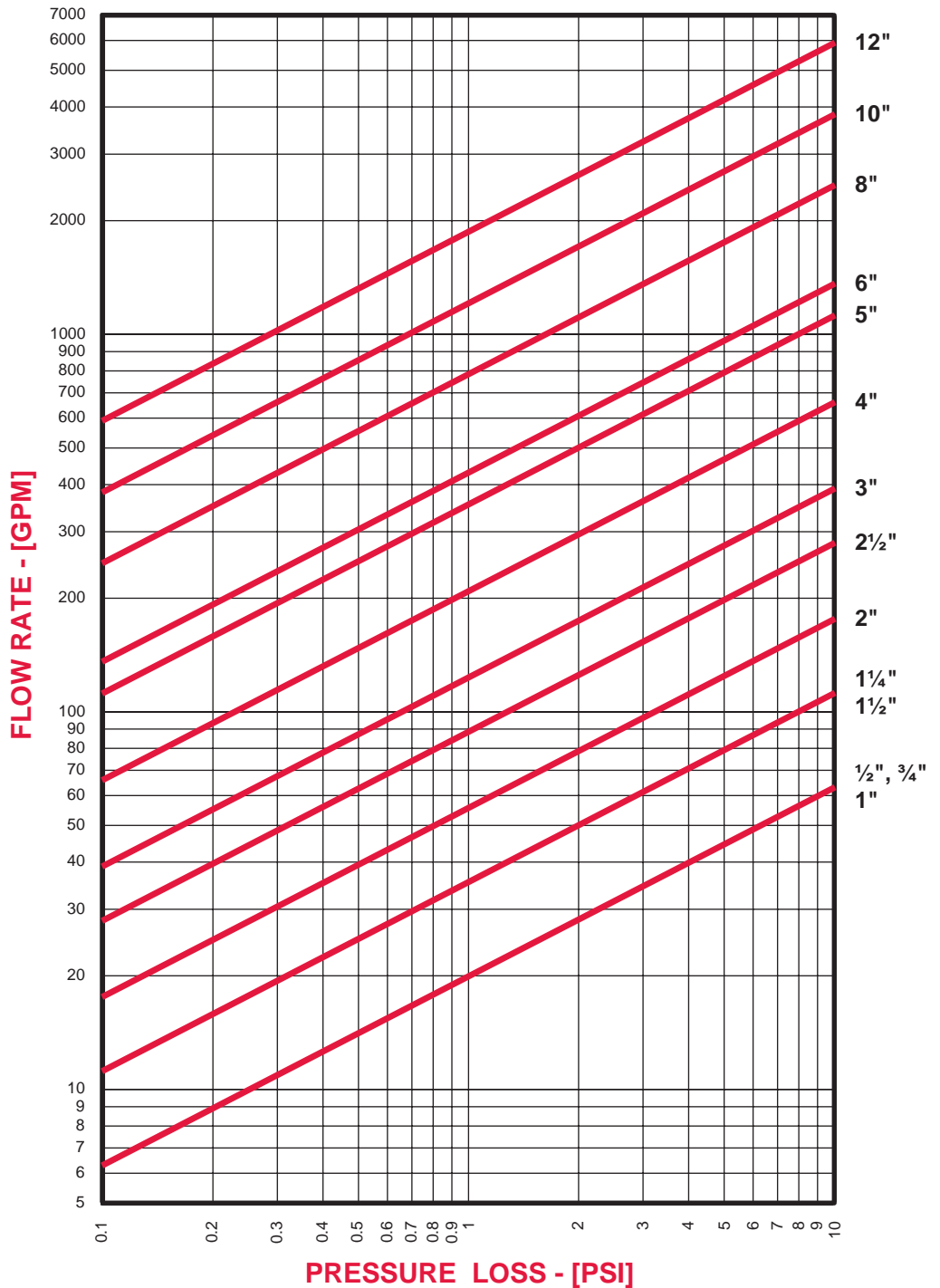
TO USE CHARTS:

Find your desired rate of flow (GPM) on the left hand side of the chart. Follow its corresponding horizontal line to the point where it intersects the diagonal line indicating the strainer pipe size. From this point of intersection, follow the vertical line down to the bottom of the chart to determine the approximate pressure drop.

CORRECTION FACTORS:

For finer mesh baskets that are backed with a perforated sheet, multiply the pressure drops shown at right by the following:

- 40 mesh x 1.2
- 60 mesh x 1.4
- 80 mesh x 1.6
- 100 mesh x 1.7





PRESSURE DROP CHART

Basket Strainers (Styles GFV, HLC, BGFV, SGFV, SGFV-K, SSGFV, and SSGFV-K)

This pressure drop chart is based on the flow of clean water through the Keckley strainer styles listed above with screen perforations ranging from 3/64" through 1/8".

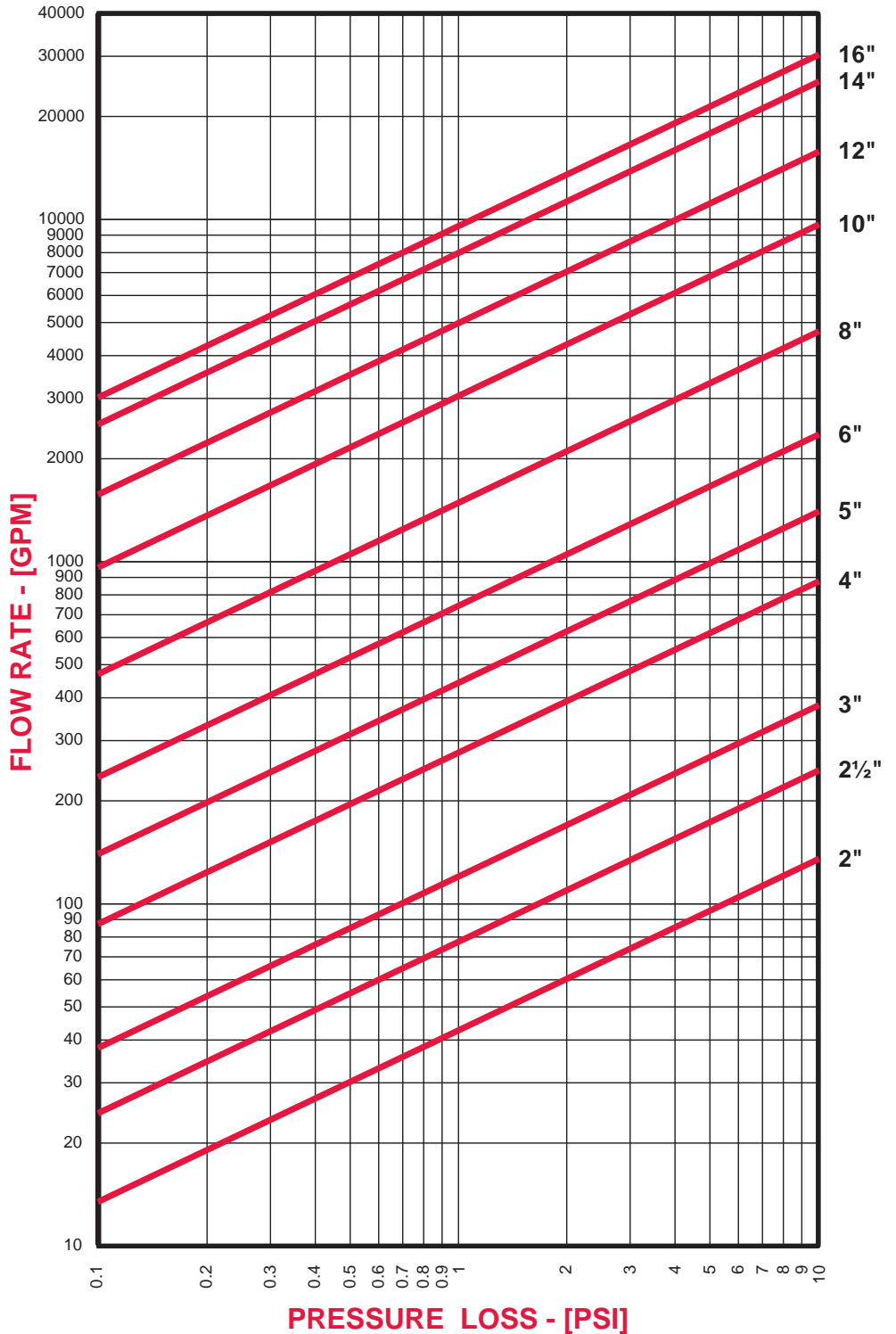
TO USE CHARTS:

Find your desired rate of flow (GPM) on the left hand side of the chart. Follow its corresponding horizontal line to the point where it intersects the diagonal line indicating the strainer pipe size. From this point of intersection, follow the vertical line down to the bottom of the chart to determine the approximate pressure drop.

CORRECTION FACTORS:

For finer mesh baskets that are backed with a perforated sheet, multiply the pressure drops shown at right by the following:

- 40 mesh x 1.2
- 60 mesh x 1.4
- 80 mesh x 1.6
- 100 mesh x 1.7



PRESSURE DROP CHART

Basket Strainers (Styles KF-7 and BKF-7)

This pressure drop chart is based on the flow of clean water through the Keckley strainer styles listed above with screen perforations ranging from 3/64" through 1/4".

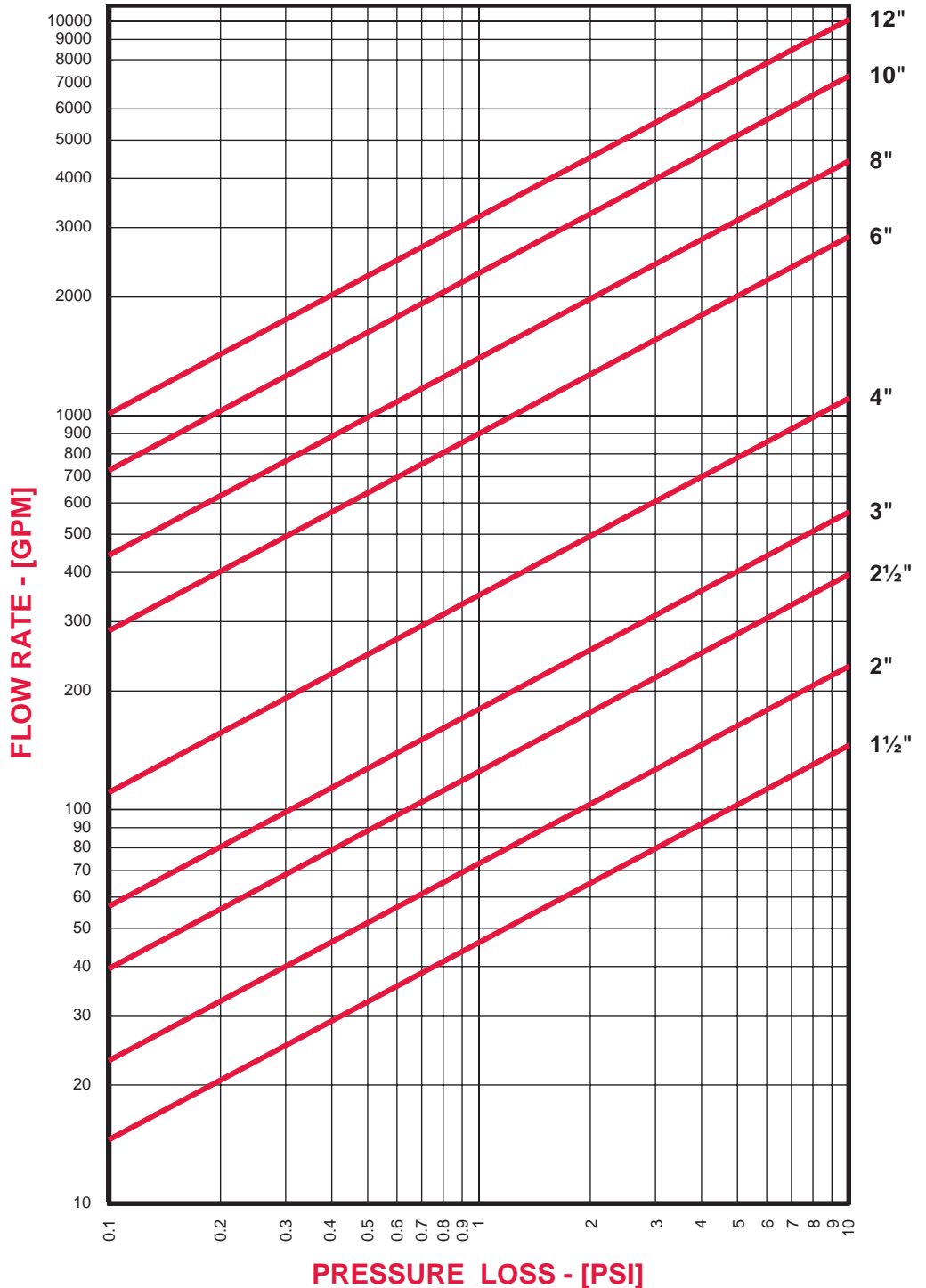
TO USE CHARTS:

Find your desired rate of flow (GPM) on the left hand side of the chart. Follow its corresponding horizontal line to the point where it intersects the diagonal line indicating the strainer pipe size. From this point of intersection, follow the vertical line down to the bottom of the chart to determine the approximate pressure drop.

CORRECTION FACTORS:

For finer mesh baskets that are backed with a perforated sheet, multiply the pressure drops shown at right by the following:

- 40 mesh x 1.2
- 60 mesh x 1.4
- 80 mesh x 1.6
- 100 mesh x 1.7





PRESSURE DROP CHART

Basket Strainers (Styles KT-7)

This pressure drop chart is based on the flow of clean water through the Keckley strainer styles listed above with screen perforations ranging from 3/64" through 1/8".

TO USE CHARTS:

Find your desired rate of flow (GPM) on the left hand side of the chart. Follow its corresponding horizontal line to the point where it intersects the diagonal line indicating the strainer pipe size. From this point of intersection, follow the vertical line down to the bottom of the chart to determine the approximate pressure drop.

CORRECTION FACTORS:

For finer mesh baskets that are backed with a perforated sheet, multiply the pressure drops shown at right by the following:

- 40 mesh x 1.2
- 60 mesh x 1.4
- 80 mesh x 1.6
- 100 mesh x 1.7

