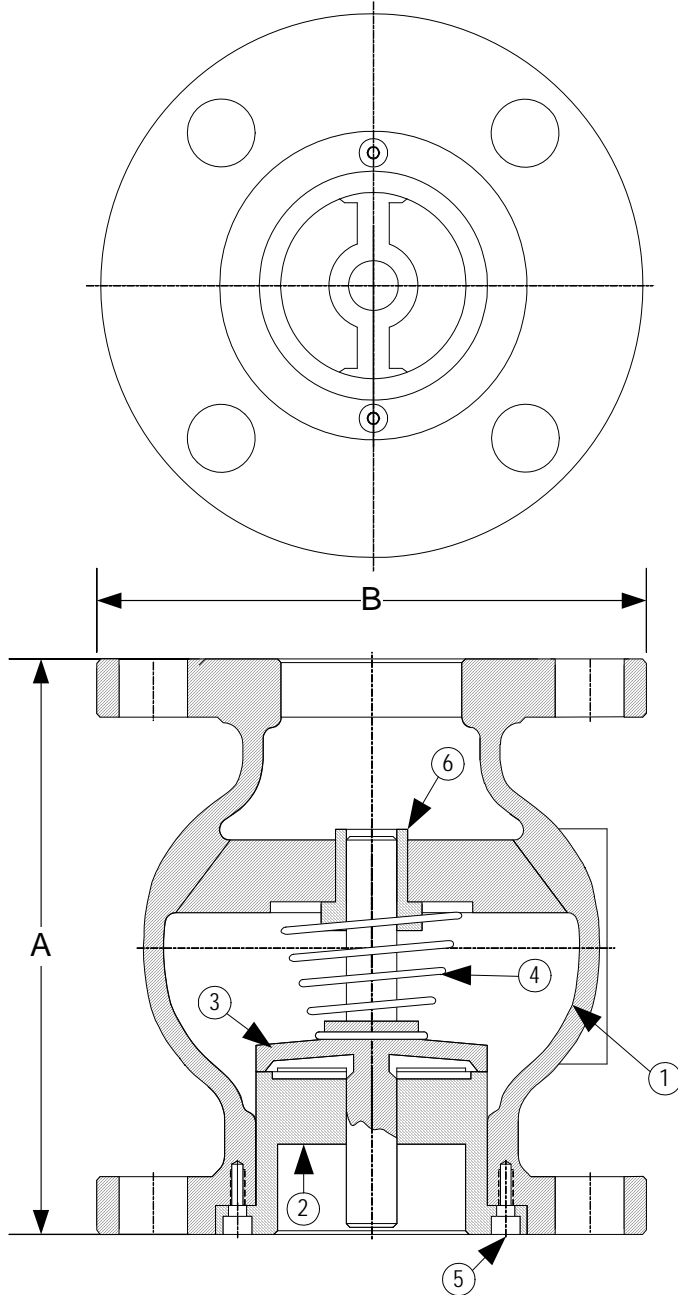


DRAWING NO.
AL 99600

BODY PRESSURE & TEMPERATURE RATINGS – NON SHOCK			
NOM. RATING	MEDIA	2" to 12"	14" to 24"
125# (GLOBE)	W.O.G.	200 PSI @ 150°F	150 PSI @ 150°F



PARTS LIST		
ITEM	DESCRIPTION	MATERIAL
1	BODY	CAST IRON (ASTM A 126, CLASS B)
2	SEAT	CAST STAINLESS STEEL (ASTM A 351, GRADE CF8)
3	DISC	CAST STAINLESS STEEL (ASTM A 351, GRADE CF8)
4	SPRING	STAINLESS STEEL (ASTM A 182, 304)
5	SCREW	CARBON STEEL (ASTM A 307, B)
6	BUSHING	STAINLESS STEEL (ASTM A 182, 304)

PRODUCT NUMBER [†]	SIZE	DIMENSIONS			WEIGHT
		A	B	Bolt Hole Diameter	
2CG1F-CI-34334	2	6-1/4	6	3/4	22
21/2CG1F-CI-34334	2-1/2	7	7	3/4	25
3CG1F-CI-34334	3	7-1/2	7-1/2	3/4	33
4CG1F-CI-34334	4	8-1/2	9	3/4	58
5CG1F-CI-34334	5	9-1/2	10	7/8	75
6CG1F-CI-34334	6	10-1/2	11	7/8	96
8CG1F-CI-34334	8	13-1/2	13-1/2	7/8	180
10CG1F-CI-34334	10	16-1/4	16	1	270
12CG1F-CI-34334	12	20-1/4	19	1	455
14CG1F-CI-34334	14	22-3/4	21	1-1/8	600
16CG1F-CI-34334	16	24-3/4	23-1/2	1-1/8	844
18CG1F-CI-34334	18	22-1/2	25	1-1/4	900
20CG1F-CI-34334	20	24	27-17/32	1-1/4	1145
24CG1F-CI-34334	24	24	32	1-3/8	1550

[†]See "Style CG Product Number Configuration" for additional options.

APPLICABLE STANDARDS

- Design ASME B16.1
- Testing API 598
- MSS SP – 6
- MSS SP – 25

KECKLEY

3400 CLEVELAND SKOKIE ILLINOIS

DIMENSIONAL ASSEMBLY

125# Globe Center Guided Silent

Check Valve

MAT'L: Cast Iron

REQ. ---

DRAWING NO.
AL 99600

PART NO.
CG1F-CI-34334

SCALE: NTS

DATE: 05/05/2014

DR. BY DSF