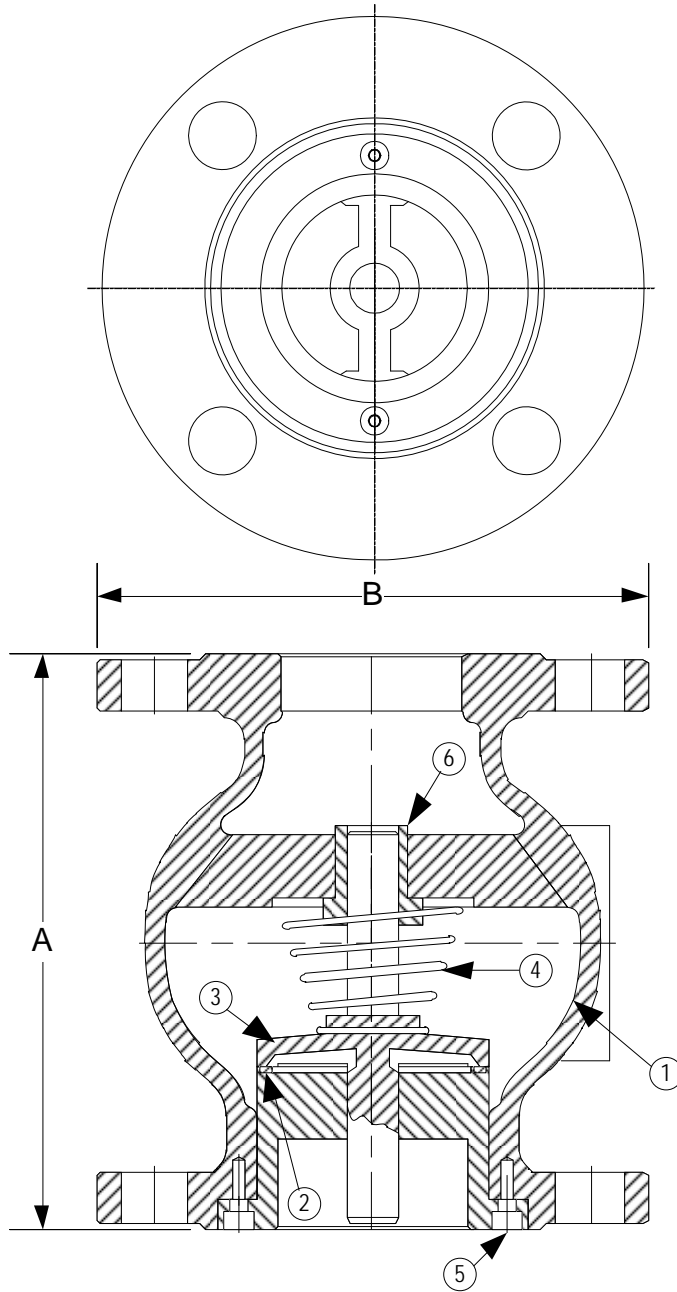


DRAWING NO.
AL 99700

BODY PRESSURE & TEMPERATURE RATINGS – NON SHOCK		
NOM. RATING	MEDIA	2" to 20"
300# (GLOBE)	W.O.G.	720 PSI @ 100°F



PARTS LIST		
ITEM	DESCRIPTION	MATERIAL
1	BODY	STAINLESS STEEL (ASTM A 351, GRADE CF8M)
2	SEAT	CAST STAINLESS STEEL (ASTM A 351, GRADE CF8M)
3	DISC	CAST STAINLESS STEEL (ASTM A 351, GRADE CF8M)
4	SPRING	STAINLESS STEEL (ASTM A 182, 316)
5	SCREW	STAINLESS STEEL (ASTM A 182, 316)
6	BUSHING	STAINLESS STEEL (ASTM A 182, 316)

PRODUCT NUMBER [†]	SIZE	DIMENSIONS			WEIGHT
		A	B	Bolt Hole Diameter	
2CG4R-36-36336	2	6-11/16	6-1/2	3/4	24
21/2CG4R-36-36336	2-1/2	7-9/16	7-1/2	7/8	31
3CG4R-36-36336	3	8-1/4	8-1/4	7/8	44
4CG4R-36-36336	4	9-1/8	10	7/8	74
5CG4R-36-36336	5	10-3/8	11	7/8	105
6CG4R-36-36336	6	11-3/8	12-1/2	7/8	134
8CG4R-36-36336	8	13	15	1	230
10CG4R-36-36336	10	15-3/8	17-1/2	1-1/8	344
12CG4R-36-36336	12	19-1/2	20-1/2	1-1/4	520
14CG4R-36-36336	14	21	23	1-1/4	725
16CG4R-36-36336	16	22-5/8	25-1/2	1-3/8	1000
18CG4R-36-36336	18	24-1/8	28	1-3/8	1350
20CG4R-36-36336	20	25-5/8	30-1/2	1-3/8	1775

[†]See "Style CG Product Number Configuration" for additional options.

APPLICABLE STANDARDS

- Design ASME B16.5, B16.34
- Testing API 598
- MSS SP – 6
- MSS SP – 25
- MSS SP – 55

KECKLEY

3400 CLEVELAND SKOKIE ILLINOIS

DIMENSIONAL ASSEMBLY

300# Globe Center Guided Silent

Check Valve

MAT'L: Cast Stainless Steel (316)

REQ. ---

DRAWING NO.

AL 99700

PART NO.
CG4R-36-36336

SCALE: NTS

DATE: 05/05/2014

DR. BY DSF