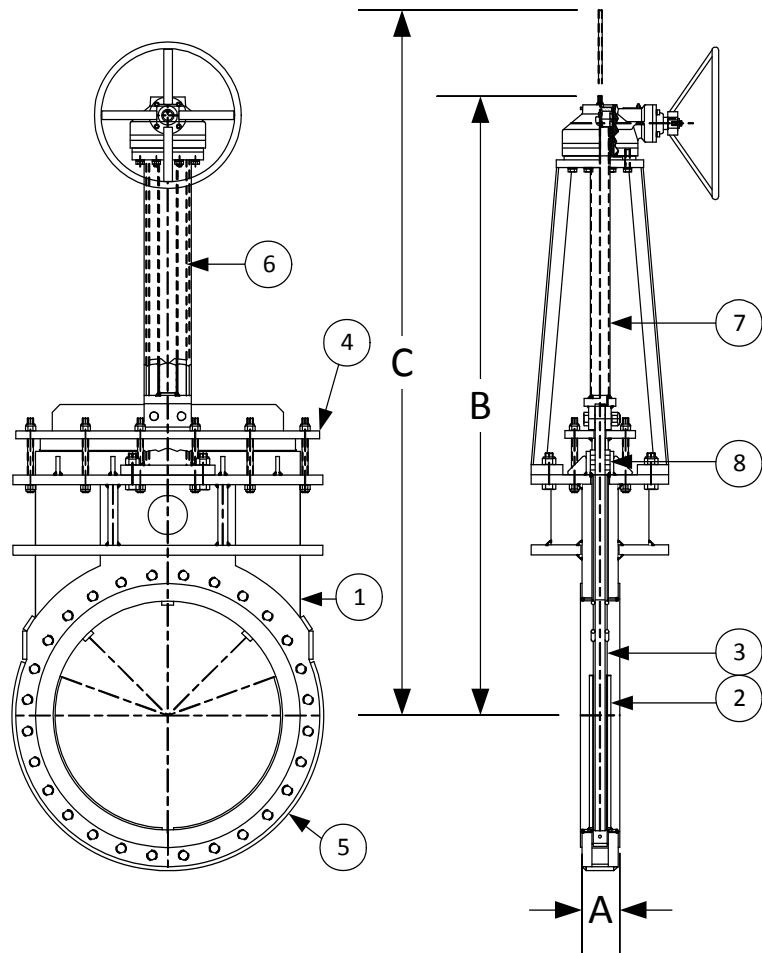


DRAWING NO.
AL 112000



PARTS LIST

ITEM	DESCRIPTION	MATERIAL
1	BODY	STAINLESS STEEL (304)
2	SEAT	STAINLESS STEEL (304)
3	WEDGE	STAINLESS STEEL (304)
4	PACKING GLAND	STAINLESS STEEL (304)
5	FLANGES, EXT TRIM	STAINLESS STEEL (304)
6	YOKE ASSEMBLY	STAINLESS STEEL (304)
7	STEM ASSEMBLY	STAINLESS STEEL (304)
8	PACKING	TFE/SYN

PRODUCT NUMBER	SIZE	DIMENSIONS (in)				MAX PRESSURE	WEIGHT (lbs)
		A	B	C			
30FKGV-F34MBB	30"	4-5/8	74-3/4	104	125	TBD	
36FKGV-F34MBB	36"	5-3/4	89-1/8	121	125	TBD	
42FKGV-F34MBB	42"	6-1/4	97-1/4	136	125	TBD	
48FKGV-F34MBB	48"	7	110	155	125	TBD	
54FKGV-F34MBB	54"	6-5/8	123	173	50	TBD	
60FKGV-F34MBB	60"	7	135	189	50	TBD	

Size	Valve Type	-	Body Material	-	Seat Material	Directional Flow	Actuation
	FKGV	-	F34	-	M	B	B

M | Metal (Same as Wedge)

KECKLEY

3400 CLEVELAND SKOKIE ILLINOIS

DRAWING NO.
AL 112000

DIMENSIONAL ASSEMBLY

PART NO.

150# Flg. Style FKGV Manual Operated

SCALE: NTS

Bi-Directional Knife Gate Valve

DATE: 12/01/2011

MAT'L: Fabricated 304SS

REQ. ---

DR. BY DSF