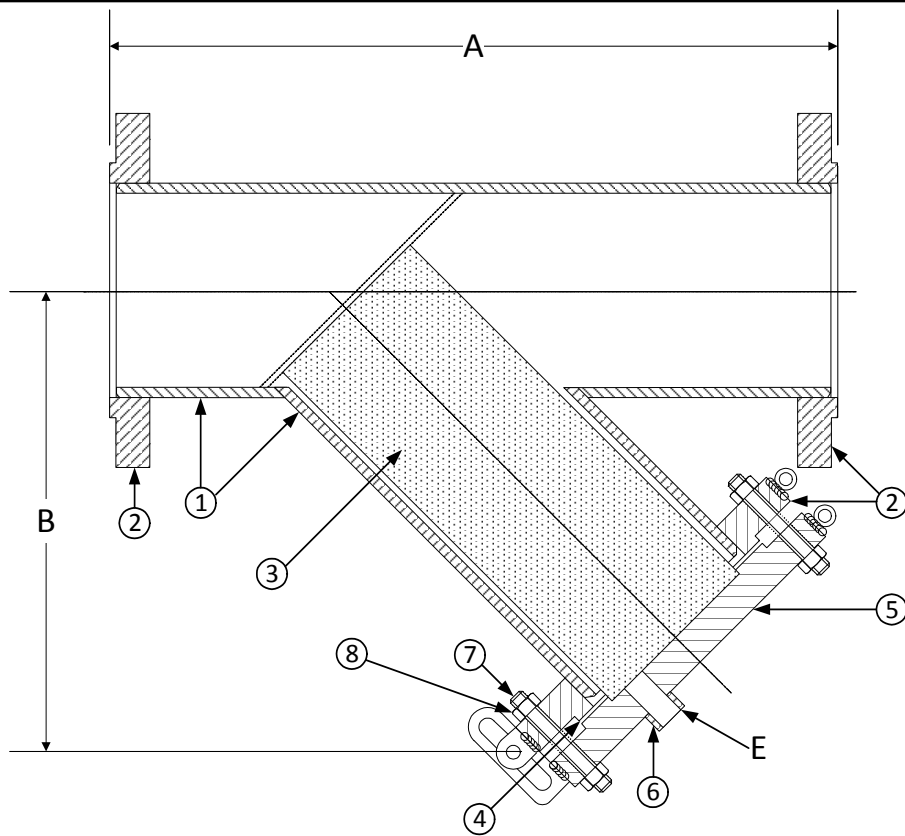


DRAWING NO.
AL 92000




PARTS LIST		
Item	Description	Material
1	Pipe	Carbon Steel Pipe (ASTM A 53)
2*	150lb RFSO Flange	Carbon Steel (ASTM A 105) B16.5
3	Screen	Stainless Steel (304) - 1/8" perf.
4	Gasket	Fiber
5	150lb Blind Flange (Cover)	Carbon Steel (ASTM A 105)
6	3000# NPT Half Coupling	Carbon Steel (ASTM A 105)
7	Studs	Carbon Steel (ASTM A 193, Grade B7)
8	Nut	Carbon Steel (ASTM A 194, Grade 2H)

*30" Flanges are RFWN Series B.

BODY PRESSURE & TEMPERATURE RATINGS - NON SHOCK	
NOM. RATING	4" to 30"
150# RFSO	285 PSI @ 100°F

Product Numbers [†]	SIZE	DIMENSIONS (in)			WEIGHT (lbs)	
		A	B	E	Cover	Total
42RFFY-FCS125P34-FHB	4	16	12	1	13	100
52RFFY-FCS125P34-FHB	5	19	14	1	15	130
62RFFY-FCS125P34-FHB	6	22	16	1	19	175
82RFFY-FCS125P34-FHB	8	26	19	1-1/2	30	280
102RFFY-FCS125P34-FHB	10	30	24	1-1/2	43	390
122RFFY-FCS125P34-FHB	12	35	26	1-1/2	64	560
142RFFY-FCS125P34-FHB	14	39	30	2	90	800
162RFFY-FCS125P34-FHB	16	45	34	2	106	1000
182RFFY-FCS125P34-FHB	18	46	34	2	130	1150
202RFFY-FCS125P34-FHB	20	52	38	2	165	1400
242RFFY-FCS125P34-FHB	24	60	44	2	220	2000
302RFFY-FCS125P34-FHB	30	72	50	2	150	3000

[†]See "Style FSA Product Number Configuration" for additional options.

 3400 CLEVELAND SKOKIE ILLINOIS	DRAWING NO. AL 92000
	PART NO.
DIMENSIONAL ASSEMBLY	SCALE: NTS
150lb. Flg. Style FSA	DATE: 07/01/2011
Fabricated Carbon Steel Y-Strainer	DR. BY DSF
MAT'L: Fabricated Carbon Steel	REQ. ---