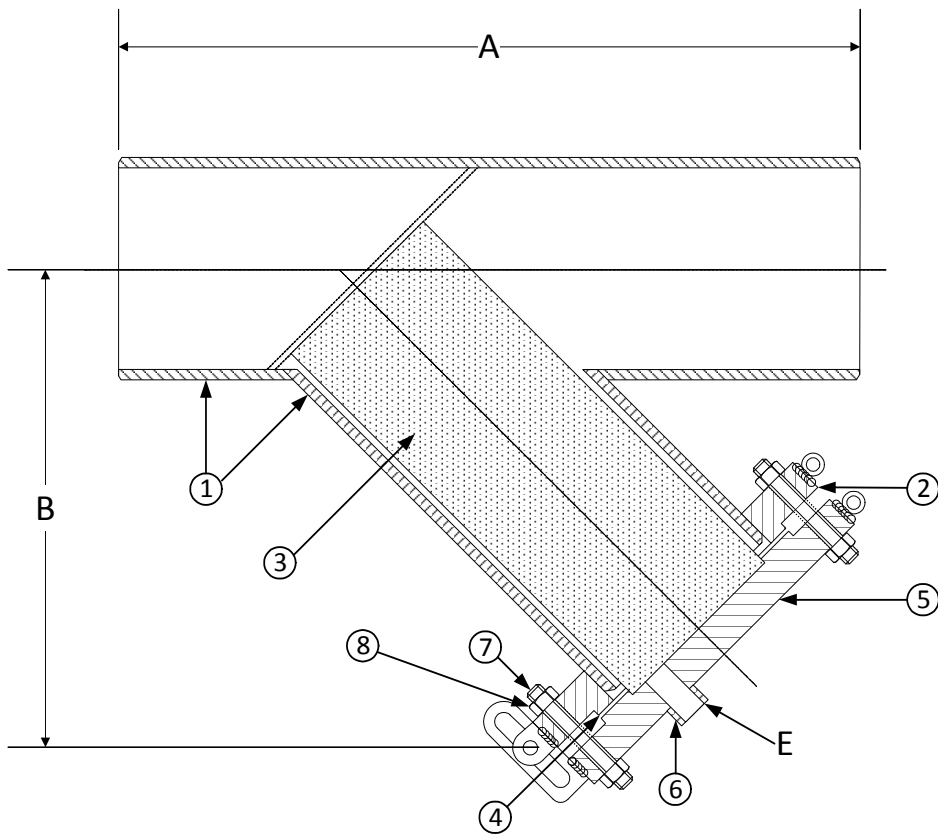


DRAWING NO.
DF1



PARTS LIST		
Item	Description	Material
1	Pipe	Copper Nickel 90/10
2*	300lb RFSO Flange	Copper Nickel 90/10
3	Screen	Stainless Steel (304) - 1/8" perf.
4	Gasket	Fiber
5	300lb Blind Flange (Cover)	Copper Nickel 90/10
6	3000#NPT Half Coupling	Copper Nickel 90.10
7	Studs	Stainless Steel (ASTM A 193, Grade B8)
8	Nuts	Stainless Steel (ASTM A 194, Grade 8)

*30" Flanges are RFWN Series B.

BODY PRESSURE & TEMPERATURE RATINGS - NON SHOCK	
NOM. RATING	4" to 30"
300# Butt Weld	225 PSI @ 150°F

Product Numbers [†]	SIZE	DIMENSIONS (in)			WEIGHT (lbs)	
		A	B	E	Cover	Total
44B4FY-FCU125P34-FHB	4	18	13	1	24	140
54B4FY-FCU125P34-FHB	5	21	15	1	31	200
64B4FY-FCU125P34-FHB	6	24	19	1	39	265
84B4FY-FCU125P34-FHB	8	28	22	1-1/2	58	410
104B4FY-FCU125P34-FHB	10	31	24	1-1/2	81	600
124B4FY-FCU125P34-FHB	12	36	27	1-1/2	115	840
144B4FY-FCU125P34-FHB	14	41	32	2	165	1100
164B4FY-FCU125P34-FHB	16	47	36	2	220	1500
184B4FY-FCU125P34-FHB	18	50	36	2	280	1775
204B4FY-FCU125P34-FHB	20	55	40	2	325	2100
244B4FY-FCU125P34-FHB	24	62	46	2	490	3100
304B4FY-FCU125P34-FHB	30	74	53	2	550	5150

[†]See "Style FSA Product Number Configuration" for additional options.

KECKLEY

3400 CLEVELAND SKOKIE ILLINOIS

DRAWING NO.
DF1

DIMENSIONAL ASSEMBLY

PART NO.

300lb. Schd. 40 Butt Weld Style FSA

SCALE: NTS

Fabricated Copper Nickel 90/10 Y-Strainer

DATE: 07/01/2011

MAT'L: Fabricated Copper Nickel 90/10 REQ. ---

DR. BY DSF