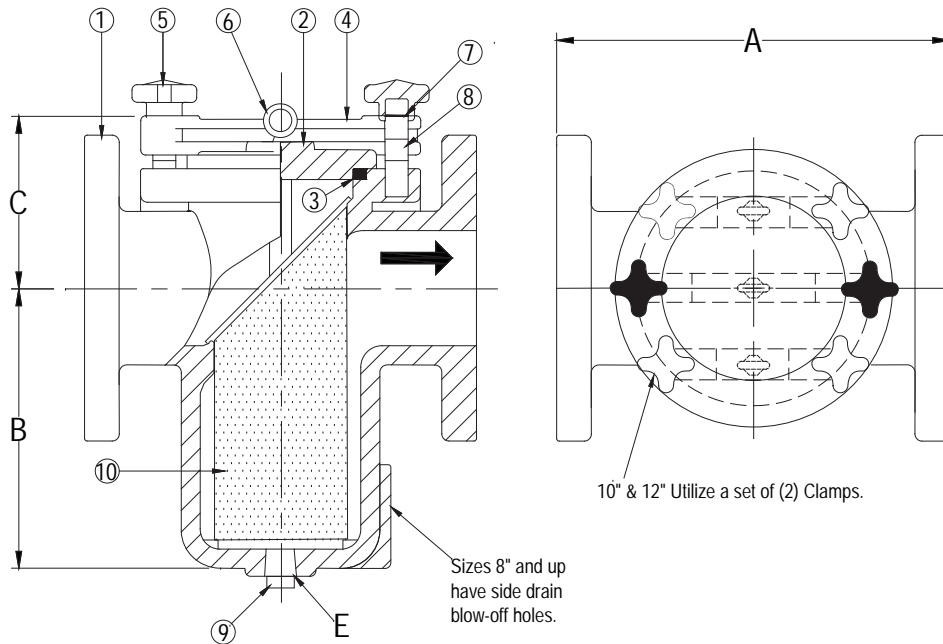


DRAWING NO.



| BODY PRESSURE & TEMPERATURE RATINGS - NON SHOCK | | |
|---|--------|-----------------|
| NOM. RATING | MEDIA | 2" to 12" |
| 125# (STANDARD FLANGE) | W.O.G. | 200 PSI @ 100°F |

| PARTS LIST | | |
|------------|-------------|--|
| ITEM | DESCRIPTION | MATERIAL |
| 1 | BODY | CAST IRON (ASTM A 126, CLASS B) |
| 2 | COVER | CAST DUCTILE IRON (ASTM A 536, GRADE 65-45-12) |
| 3 | O-RING | NITRILE |
| 4 | CLAMP | CAST DUCTILE IRON (ASTM A 536, GRADE 65-45-12) |
| 5 | HAND NUT | CAST DUCTILE IRON (ASTM A 536, GRADE 65-45-12) |
| 6 | EYE BOLT | CARBON STEEL (ASTM A 307) |
| 7 | BUSHING | STAINLESS STEEL (304) |
| 8 | FULL BOLT | CARBON STEEL (ASTM A 307) |
| 9 | PIPE PLUG | MALLEABLE IRON |
| 10 | BASKET | STAINLESS STEEL (304) |


| Product Number† | SIZE | DIMENSIONS (in) | | | | WEIGHT (lbs) |
|-----------------------|-------|-----------------|---------|---------|-------|--------------|
| | | A | B | C | E | |
| 21FFS-CI062P34-NOC | 2 | 8 | 4-7/8 | 3-3/4 | 3/4 | 27 |
| 21/21FFS-CI062P34-NOC | 2-1/2 | 8-1/4 | 5-13/16 | 3-13/16 | 3/4 | 38 |
| 31FFS-CI062P34-NOC | 3 | 9-3/4 | 7-1/8 | 4-3/4 | 3/4 | 49 |
| 41FFS-CI062P34-NOC | 4 | 11-1/2 | 8 | 5-3/8 | 1 | 63 |
| 51FFS-CI125P34-NOC | 5 | 13-1/8 | 8-1/2 | 6-3/4 | 1 | 95 |
| 61FFS-CI125P34-NOC | 6 | 14-3/4 | 9-3/8 | 6-15/16 | 1 | 127 |
| 81FFS-CI125P34-NOC | 8 | 18-1/2 | 11-1/2 | 9-1/4 | 1-1/2 | 230 |
| 101FFS-CI125P34-NOC | 10 | 20-1/8 | 13-9/16 | 11 | 1-1/2 | 408 |
| 121FFS-CI125P34-NOC | 12 | 26-1/4 | 16-3/16 | 13-3/8 | 2 | 536 |

†See "Style GFV-K Product Number Configuration" for additional options.

STANDARD SCREENS SUPPLIED

| SIZE in | SCREEN GAGE | SCREEN PERFORATION | |
|------------|-------------|--------------------|-----------|
| | | FOR LIQUID in | OPEN AREA |
| 2 to 4 | 28 | 1/16 | 30% |
| 5 to 12 | 24 | 1/8 | 43% |

Standard screens supplied are for liquid service, unless otherwise specified. Options: Other meshes, perforations, and screen materials are available.

| | | |
|---|----------|------------------|
|  | | DRAWING NO. |
| 3400 CLEVELAND SKOKIE ILLINOIS | | |
| DIMENSIONAL ASSEMBLY | | PART NO. |
| 125# Flange Style GFV-K Cast Iron | | SCALE: NTS |
| Basket Strainer w/ 304 ss screen | | DATE: 10/08/2014 |
| MAT'L: (As Noted Above) | REQ. --- | DR. BY DSF |