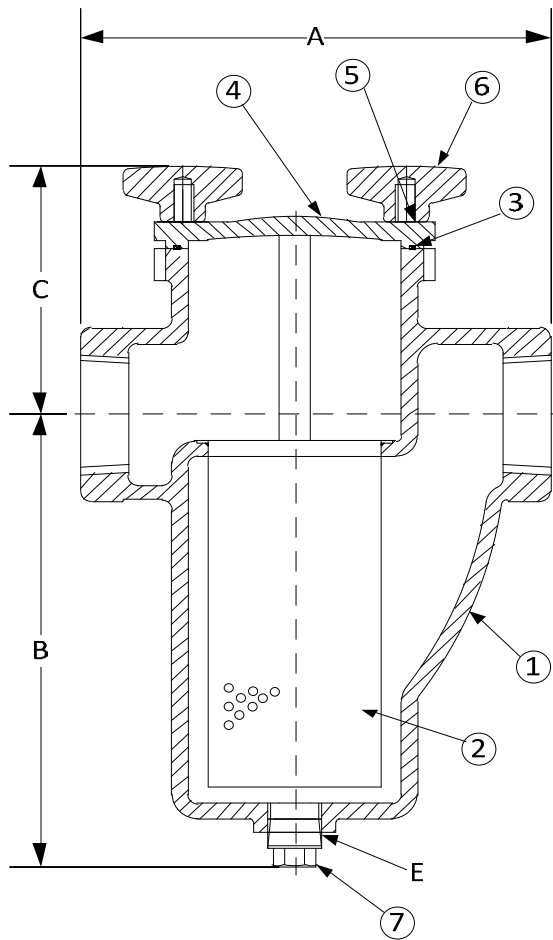


DRAWING NO.  
AL 91000



BODY PRESSURE & TEMPERATURE RATINGS - NON SHOCK		
NOM. RATING	MEDIA	¾" to 3"
125# (THREADED)	W.O.G.	200 PSI @ 150°F

PARTS LIST		
ITEM	DESCRIPTION	MATERIAL
1	BODY	CAST IRON (ASTM A 126, CLASS B)
2	BASKET	STAINLESS STEEL (304)
3	O-RING	BUNA-N (MAX TEMPERATURE 150°F)
4	COVER	CAST IRON (ASTM A 126, CLASS B)
5	STUDS	CARBON STEEL (ASTM A 193, GRADE B7)
6	KNOBS	CAST IRON (ASTM A 126, CLASS B)
7	PLUG	CAST IRON (ASTM A 126, CLASS B)

Product Number <sup>†</sup>	SIZE	DIMENSIONS (in)				COVER		WEIGHT (lbs)
		A	B	C	E	No. of Knobs	Size of Studs	
3/81THS-CI062P34-BOK	3/8	4-9/16	4	3-1/8	3/8	2	3/8-16 x 2	8
1/21THS-CI062P34-BOK	1/2	4-9/16	4	3-1/8	3/8	2	3/8-16 x 2	8
3/41THS-CI062P34-BOK	3/4	4-9/16	4	3-1/8	3/8	2	3/8-16 x 2	8
11THS-CI062P34-BOK	1	5-5/16	4-7/8	3	3/8	2	3/8-16 x 2	10
11/41THS-CI062P34-BOK	1-1/4	6-5/16	6-1/2	4-1/8	1/2	2	3/8-16 x 2-3/8	17
11/21THS-CI062P34-BOK	1-1/2	6-5/16	6-1/2	4-1/8	1/2	2	3/8-16 x 2-3/8	17
21THS-CI062P34-BOK	2	8-1/4	7-7/8	4-3/4	3/4	2	1/2-13 x 2-1/2	30
21/21THS-CI062P34-BOK	2-1/2	9-5/8	8-3/4	4	1	2	1/2-13 x 2-7/8	34
31THS-CI062P34-BOK	3	11-1/4	11-3/8	5-7/8	1	2	5/8-11 x 3	42

<sup>†</sup>See "Style KT-7 Product Number Configuration" for additional options.

STANDARD SCREENS SUPPLIED

SIZE	SCREEN GAGE	SCREEN PERFORATION	
		FOR LIQUID	OPEN AREA
in		in	
3/8 to 3	28	1/16	30%

Standard screens supplied are for **liquid service**, unless otherwise specified.  
Options: Other meshes, perforations, and screen materials are available.

**KECKLEY**

3400 CLEVELAND SKOKIE ILLINOIS

DRAWING NO.  
AL 91000

DIMENSIONAL ASSEMBLY

PART NO.

125# Threaded Style KT-7 Cast Iron

SCALE: NTS

Basket Strainer w/ 304 ss screen

DATE: 07/01/2011

MAT'L:

REQ. ---

DR. BY DSF