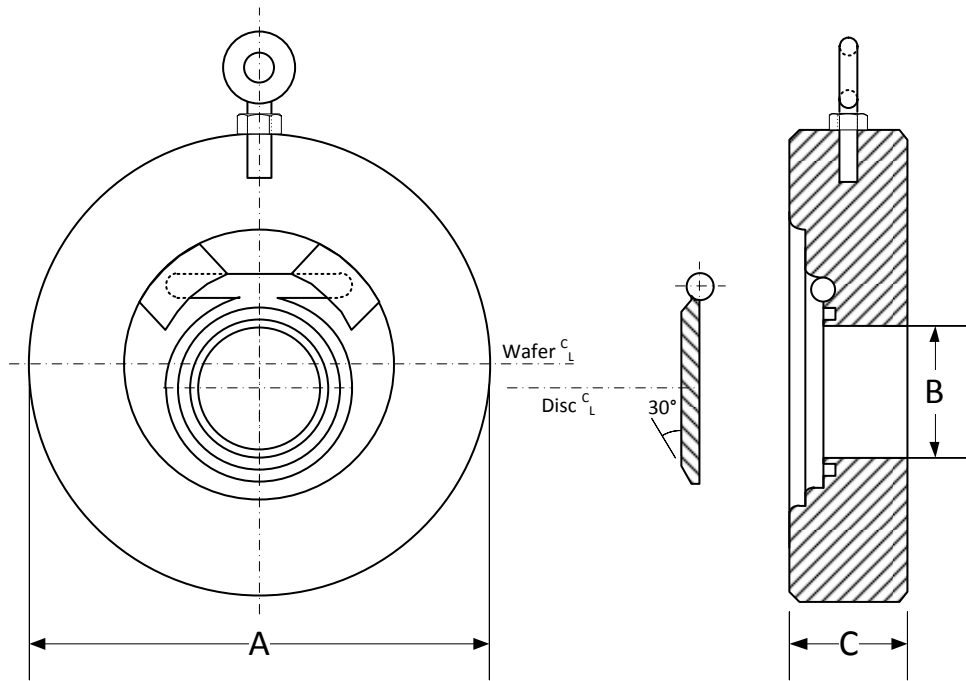


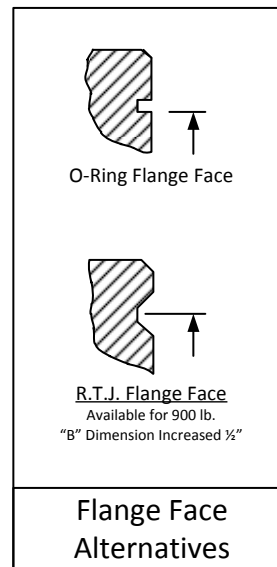
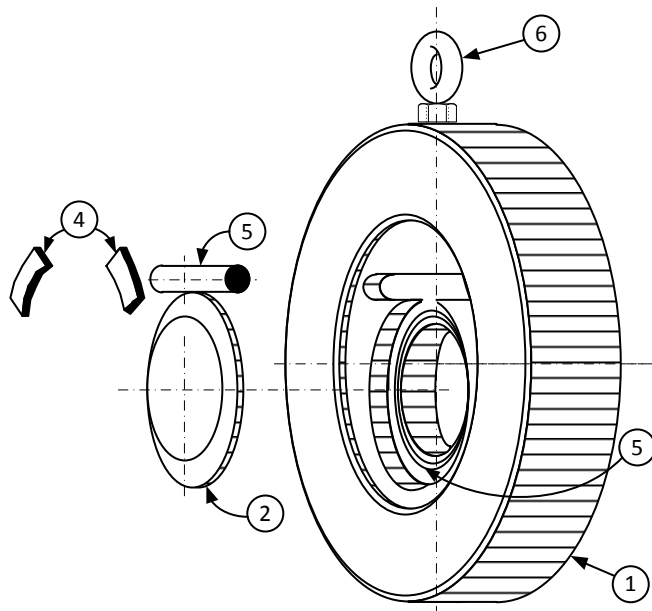
DRAWING NO.
AL 108760




PARTS LIST		
ITEM	DESCRIPTION	MATERIAL
1	BODY	MONEL
2	DISC	MONEL
3	HINGE PIN	STAINLESS STEEL (302)
4	PIN RETAINER	STAINLESS STEEL (302)
5	O-RING	VITON
6	EYE BOLT W/ HEX NUT	CARBON STEEL (ASTM A 105)

Product Numbers [†]	SIZE	DIMENSIONS (in)			WEIGHTS (lbs)
		A	B	C	
11/2LP7R-ML-ML4	1-1/2	3-7/8	7/8	2-3/4	14
2LP7R-ML-ML4	2	5-5/8	1	2-3/4	14
3LP7R-ML-ML4	3	6-7/8	1-3/4	3-1/4	24
4LP7R-ML-ML4	4	8-1/4	2-1/4	4	35
6LP7R-ML-ML4	6	11-1/8	3-3/4	6-1/4	92
8LP7R-ML-ML4	8	13-7/8	4-3/4	8-1/8	195
10LP7R-ML-ML4	10	17-1/8	6-3/4	9-3/4	245
12LP7R-ML-ML4	12	20-1/2	8-1/2	12	330

[†]See "Style LP Product Number Configuration" for additional options.



 3400 CLEVELAND SKOKIE ILLINOIS	DRAWING NO. AL 108760
	PART NO. LP7R-ML-ML4
DIMENSIONAL ASSEMBLY	SCALE: NTS
1500lb. Long Pattern Wafer Check Valve	DATE: 10/01/2011
Reduced Port	DR. BY DSF
MAT'L: Monel	REQ. ---