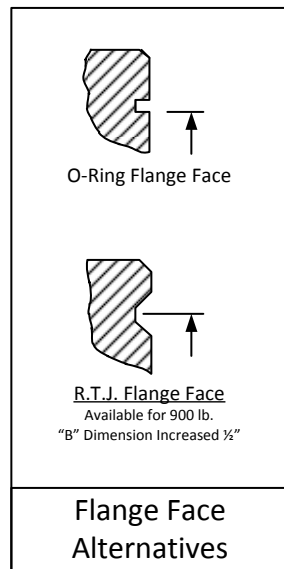
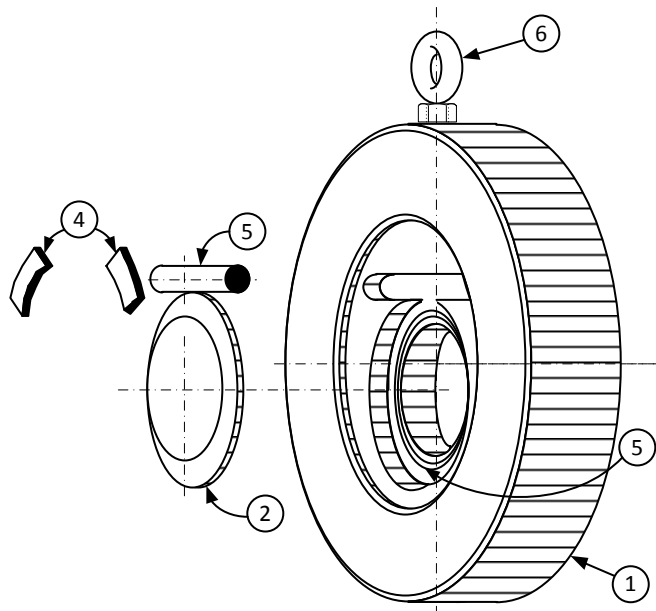
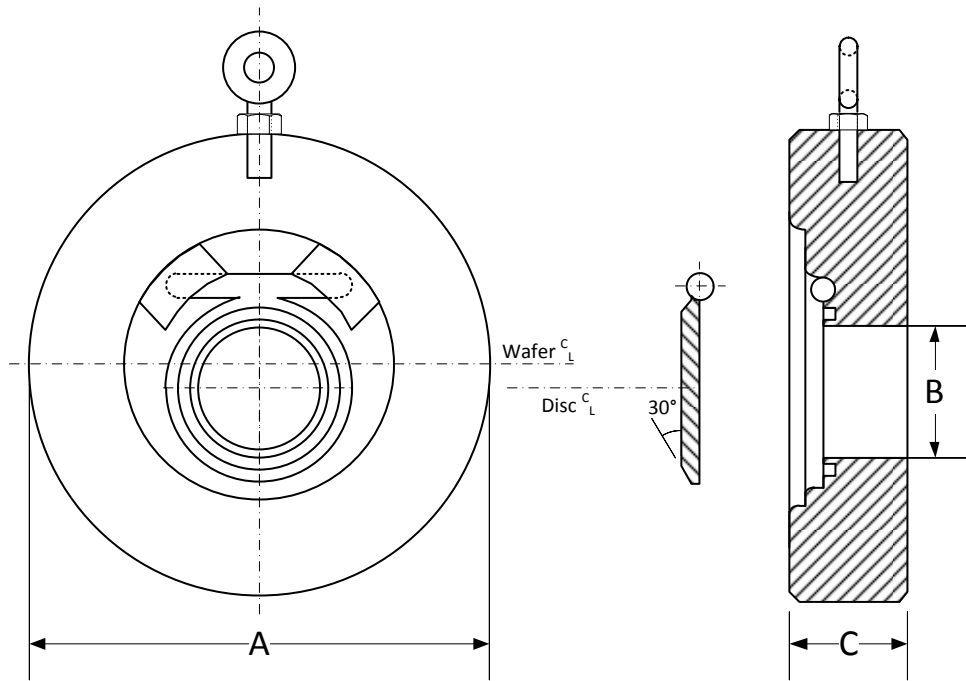


DRAWING NO.
AL 108120



PARTS LIST

| ITEM | DESCRIPTION | MATERIAL |
|------|---------------------|---------------------------|
| 1 | BODY | MONEL |
| 2 | DISC | MONEL |
| 3 | HINGE PIN | STAINLESS STEEL (302) |
| 4 | PIN RETAINER | STAINLESS STEEL (302) |
| 5 | O-RING | VITON |
| 6 | EYE BOLT W/ HEX NUT | CARBON STEEL (ASTM A 105) |

| Product Numbers [†] | SIZE | DIMENSIONS (in) | | | WEIGHTS (lbs) |
|------------------------------|-------|-----------------|--------|-------|---------------|
| | | A | B | C | |
| 11/2LP2R-ML-ML4 | 1-1/2 | 3-3/8 | 7/8 | 2-3/8 | 10 |
| 2LP2R-ML-ML4 | 2 | 4-1/8 | 1-1/8 | 2-3/8 | 10 |
| 21/2LP2R-ML-ML4 | 2-1/2 | 4-7/8 | 1-3/8 | 2-5/8 | 13 |
| 3LP2R-ML-ML4 | 3 | 5-3/8 | 1-3/4 | 2-7/8 | 15 |
| 4LP2R-ML-ML4 | 4 | 6-7/8 | 2-5/8 | 2-7/8 | 20 |
| 6LP2R-ML-ML4 | 6 | 8-3/4 | 4-5/8 | 3-7/8 | 48 |
| 8LP2R-ML-ML4 | 8 | 11 | 6 | 5 | 100 |
| 10LP2R-ML-ML4 | 10 | 13-3/8 | 7-3/4 | 5-3/4 | 160 |
| 12LP2R-ML-ML4 | 12 | 16-1/8 | 9-1/2 | 7-1/8 | 215 |
| 14LP2R-ML-ML4 | 14 | 17-3/4 | 10-1/2 | 7-1/4 | TBA |
| 16LP2R-ML-ML4 | 16 | 20-1/4 | 12-1/2 | 7-1/2 | TBA |
| 18LP2R-ML-ML4 | 18 | 21-5/8 | 14 | 8 | TBA |
| 20LP2R-ML-ML4 | 20 | 23-7/8 | 16 | 8-3/4 | TBA |
| 24LP2R-ML-ML4 | 24 | 28-1/4 | 19-1/4 | 8-3/4 | TBA |
| 30LP2R-ML-ML4 | 30 | 34-3/4 | 224 | - | TBA |
| 36LP2R-ML-ML4 | 36 | 41-1/4 | 28-3/4 | 14 | TBA |
| 42LP2R-ML-ML4 | 42 | 48 | 33-1/2 | - | TBA |
| 60LP2R-ML-ML4 | 60 | 68-3/8 | 47-3/4 | - | TBA |

[†]See "Style LP Product Number Configuration" for additional options.

KECKLEY

3400 CLEVELAND

SKOKIE ILLINOIS

DRAWING NO.

AL 108120

DIMENSIONAL ASSEMBLY

PART NO.
LP2R-ML-ML4

150lb. Long Pattern Wafer Check Valve

SCALE: NTS

Reduced Port

DATE: 10/01/2011

MAT'L: Monel

REQ. ---

DR. BY DSF