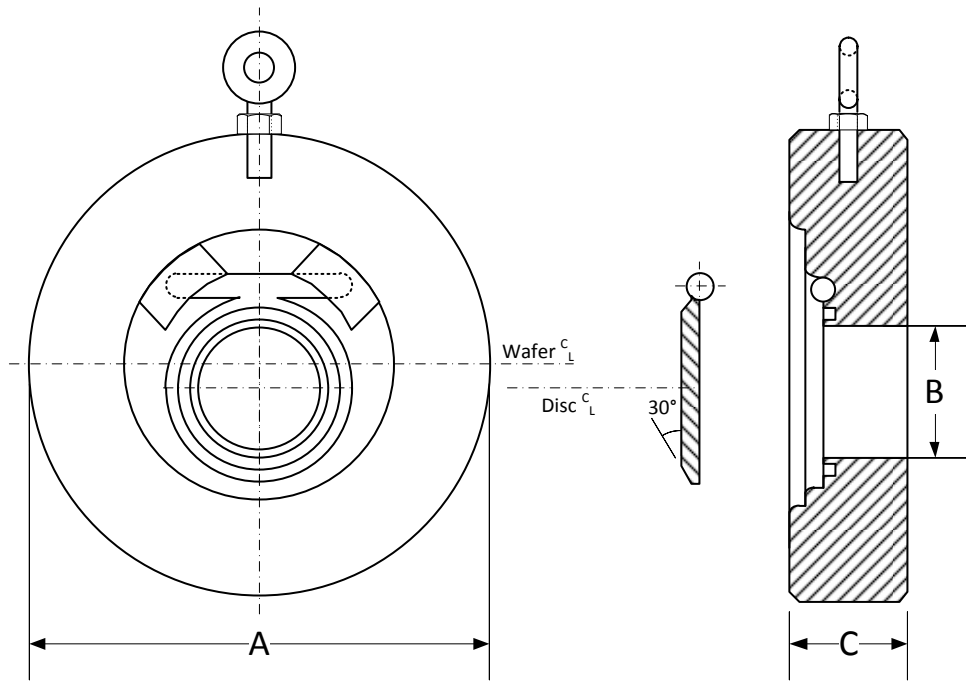
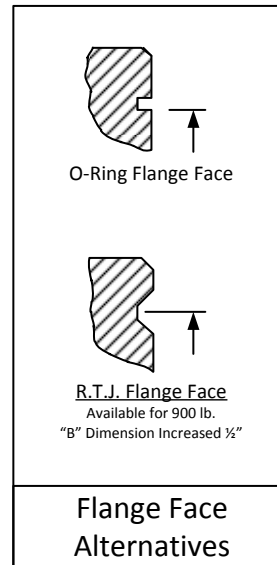
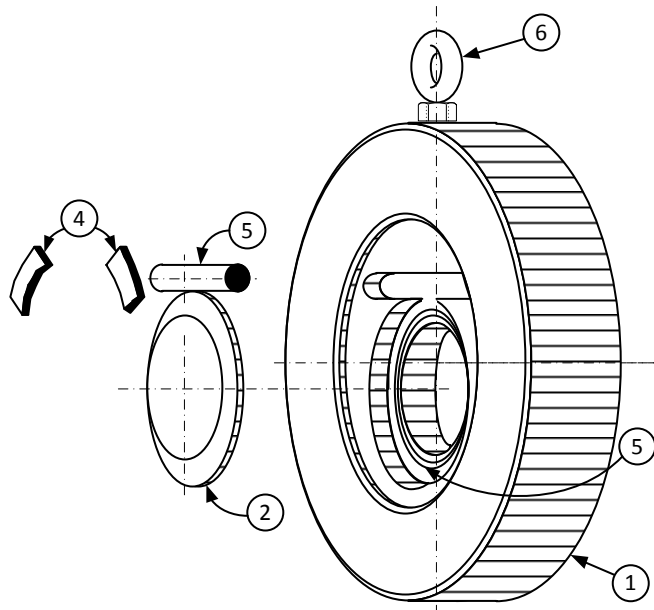


DRAWING NO.
AL 108460



PARTS LIST		
ITEM	DESCRIPTION	MATERIAL
1	BODY	STAINLESS STEEL (316)
2	DISC	STAINLESS STEEL (316)
3	HINGE PIN	STAINLESS STEEL (302)
4	PIN RETAINER	STAINLESS STEEL (302)
5	O-RING	VITON
6	EYE BOLT W/ HEX NUT	CARBON STEEL (ASTM A 105)



Product Numbers [†]	SIZE	DIMENSIONS (in)			WEIGHTS (lbs)
		A	B	C	
2LP5R-36-364	2	4-3/8	1	2-3/8	12
21/2LP5R-36-364	2-1/2	5-1/8	1-3/8	2-5/8	15
3LP5R-36-364	3	5-7/8	1-3/4	2-7/8	18
4LP5R-36-364	4	7-5/8	2-5/8	3-1/8	25
6LP5R-36-364	6	10-1/2	4	5-3/8	70
8LP5R-36-364	8	12-5/8	5	6-1/2	160
10LP5R-36-364	10	15-3/4	6-7/8	8-3/8	200
12LP5R-36-364	12	18	8-1/2	9	265
14LP5R-36-364	14	19-3/8	9-1/2	10-3/4	TBA
16LP5R-36-364	16	22-1/4	11	12	TBA
18LP5R-36-364	18	24-1/8	12-1/2	14-1/4	TBA
20LP5R-36-364	20	26-7/8	14-1/4	14-1/2	TBA
24LP5R-36-364	24	31-1/8	17-3/8	-	TBA
26LP5R-36-364	26	34-1/8	19	17-1/4	TBA
30LP5R-36-364	30	38-1/4	22	-	TBA
36LP5R-36-364	36	44-1/2	26-1/2	-	TBA

[†]See "Style LP Product Number Configuration" for additional options.

	DRAWING NO. AL 108460
	PART NO. LP5R-36-364
3400 CLEVELAND SKOKIE ILLINOIS	SCALE: NTS
DIMENSIONAL ASSEMBLY	DATE: 10/01/2011
600lb. Long Pattern Wafer Check Valve	DR. BY DSF
Reduced Port	
MAT'L: Stainless Steel (316)	REQ. ---