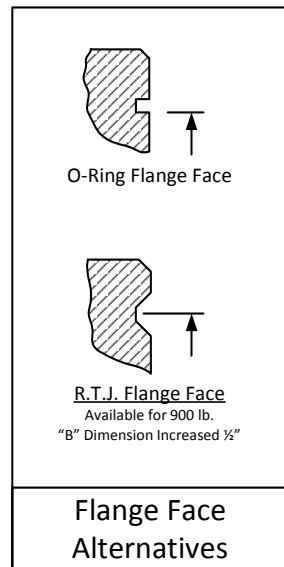
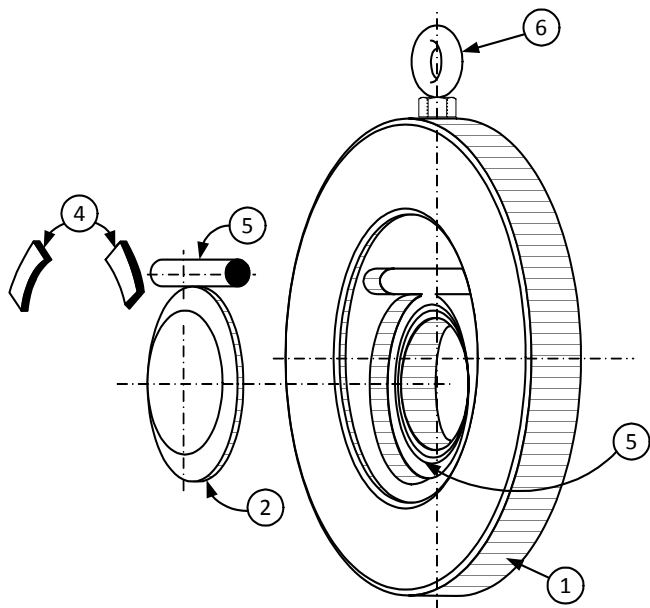
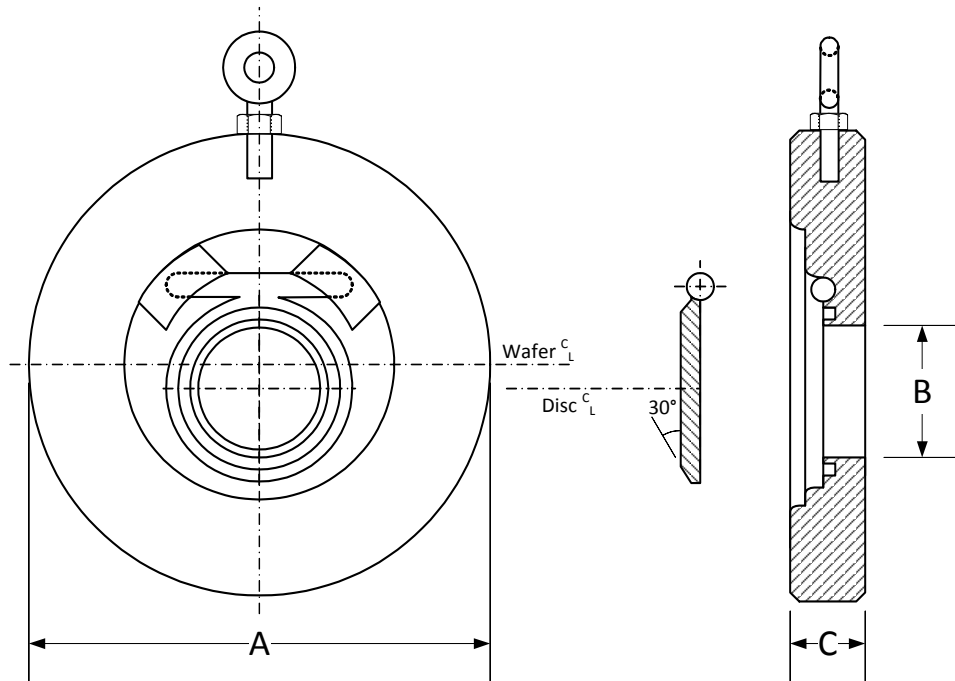


DRAWING NO.  
AL 109040




PARTS LIST

ITEM	DESCRIPTION	MATERIAL
1	BODY	CARBON STEEL (ASTM A 36)
2	DISC	STAINLESS STEEL (316)
3	HINGE PIN	STAINLESS STEEL (302)
4	PIN RETAINER	STAINLESS STEEL (302)
5	O-RING	VITON
6	EYE BOLT W/ HEX NUT	CARBON STEEL (ASTM A 105)

Product Numbers <sup>†</sup>	SIZE	DIMENSIONS (in)			WEIGHTS (lbs)
		A	B	C	
11/2SP2R-CS-364	1-1/2	3-3/8	7/8	13/16	3
2SP2R-CS-364	2	4-1/8	1-1/8	3/4	3
21/2SP2R-CS-364	2-1/2	4-7/8	1-3/8	3/4	4
3SP2R-CS-364	3	5-3/8	1-3/4	3/4	5
4SP2R-CS-364	4	6-7/8	2-5/8	3/4	6
6SP2R-CS-364	6	8-3/4	4-5/8	1	12
8SP2R-CS-364	8	11	6	1-1/8	24
10SP2R-CS-364	10	13-3/8	7-3/4	1-1/8	32
12SP2R-CS-364	12	16-1/8	9-1/2	1-1/2	62
14SP2R-CS-364	14	17-3/4	10-1/2	1-3/4	TBA
16SP2R-CS-364	16	20-1/4	12-1/2	2	TBA
18SP2R-CS-364	18	21-5/8	14	2-1/4	TBA
20SP2R-CS-364	20	23-7/8	16	2-1/2	TBA
24SP2R-CS-364	24	28-1/4	19-1/4	2-3/4	TBA
30SP2R-CS-364	30	34-3/4	22	3	TBA
36SP2R-CS-364	36	41-1/4	28-3/4	3-1/2	TBA
42SP2R-CS-364	42	48	33-1/2	4-1/4	TBA
60SP2R-CS-364	60	68-3/8	47-3/4	6	TBA

<sup>†</sup>See "Style SP Product Number Configuration" for additional options.

 3400 CLEVELAND SKOKIE ILLINOIS	DRAWING NO. AL 109040
	PART NO. SP2R-CS-364
DIMENSIONAL ASSEMBLY	SCALE: NTS
150lb. Short Pattern Wafer Check Valve	DATE: 10/01/2011
Reduced Port	DR. BY DSF
MAT'L: Carbon Steel	REQ. ---