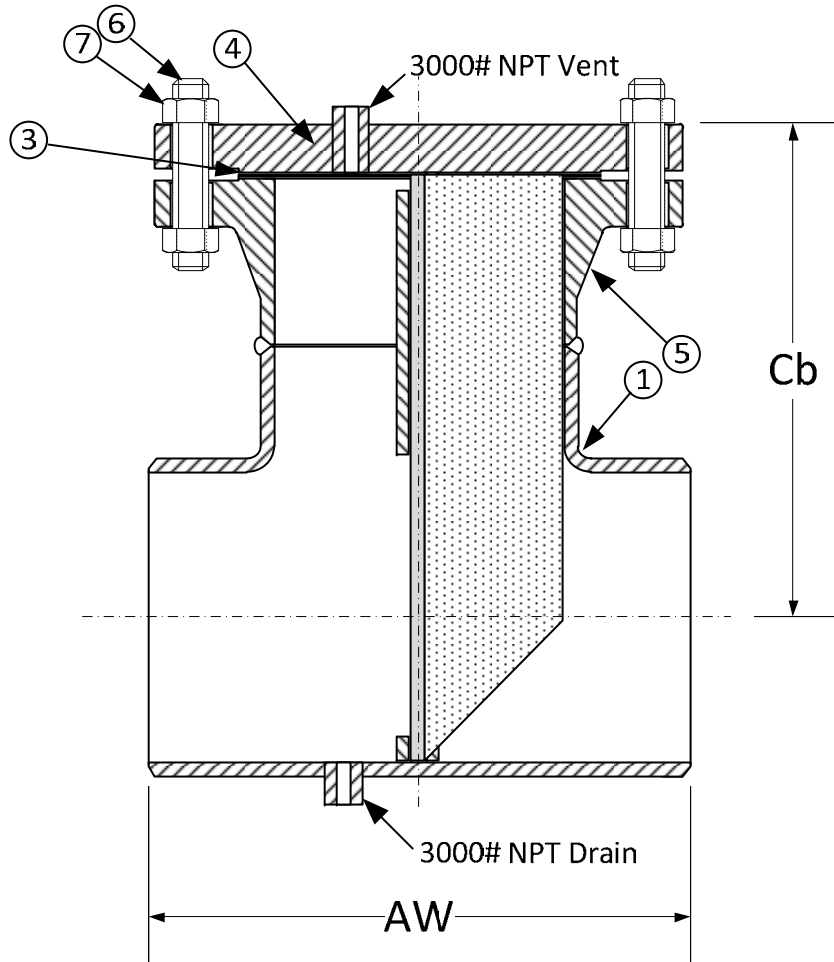


DRAWING NO.
AL 88020




PARTS LIST		
ITEM	DESCRIPTION	MATERIAL
1	BODY	FORGED CARBON STEEL (ASTM A 234, CLASS WPB)
2	BASKET	STAINLESS STEEL (304) – 1/8" PERFORATION
3	GASKET	SPIRAL WOUND STAINLESS STEEL (304) – GRAPHITE FILLED
4	150LB BLIND FLANGE (COVER)	FORGED CARBON STEEL (ASTM A 105)
5*	150LB WELD NECK FLANGES	FORGED CARBON STEEL (ASTM A 105) B 16.5
6	STUDS	CARBON STEEL (ASTM A 193, GRADE B7)
7	NUTS	CARBON STEEL (ASTM A 194, GRADE 2H)

*30" & Larger Flanges Are RFWN Series B.

Product Numbers [†]	DIMENSIONS (in)					WEIGHT (lbs)	
	SIZE	AW	Cb	Vent	Drain	Cover	Total
22B4FT-FCS125P34-FBB	2"	5	5-3/4	1/2	1/2	5	15
21/22B4FT-FCS125P34-FBB	2-1/2"	6	6-5/8	1/2	1/2	7	23
32B4FT-FCS125P34-FBB	3"	6-3/4	7-1/8	1/2	3/4	9	28
42B4FT-FCS125P34-FBB	4"	8-1/4	8-1/8	1/2	3/4	17	43
52B4FT-FCS125P34-FBB	5"	9-3/4	9-3/8	1/2	1	20	54
62B4FT-FCS125P34-FBB	6"	11-1/4	10-1/8	1/2	2	27	74
82B4FT-FCS125P34-FBB	8"	14	12-1/8	1/2	2	47	123
102B4FT-FCS125P34-FBB	10"	17	13-3/4	1/2	2	70	181
122BSFT-FCS125P34-FBB	12"	20	15-3/4	1/2	2	123	302
142BSFT-FCS125P34-FBB	14"	22	17-3/8	1/2	2	140	419
162BSFT-FCS125P34-FBB	16"	24	18-1/2	1/2	2	180	530
182BSFT-FCS125P34-FBB	18"	27	20-5/8	1/2	2	220	660
202BSFT-FCS125P34-FBB	20"	30	22-3/8	1/2	2	285	837
242BSFT-FCS125P34-FBB	24"	34	24-7/8	1/2	2	430	1208
302BSFT-FCS125P34-FBB	30"	44	27-7/8	1/2	2	543	1619

[†]See "Style T Product Number Configuration" for additional options.

BODY PRESSURE & TEMPERATURE RATINGS – NON SHOCK	
NOM. RATING	2" to 30"
150# Butt Weld	285 PSI @ 100°F

 3400 CLEVELAND SKOKIE ILLINOIS	DRAWING NO. AL 88020
	PART NO.
DIMENSIONAL ASSEMBLY	SCALE: NTS
150lb. Schd. STD Butt Weld, Style T, Fabricated Carbon Steel Tee Strainer	DATE: 03/27/2014
MAT'L: Fabricated Carbon Steel	REQ. ---
	DR. BY DSF